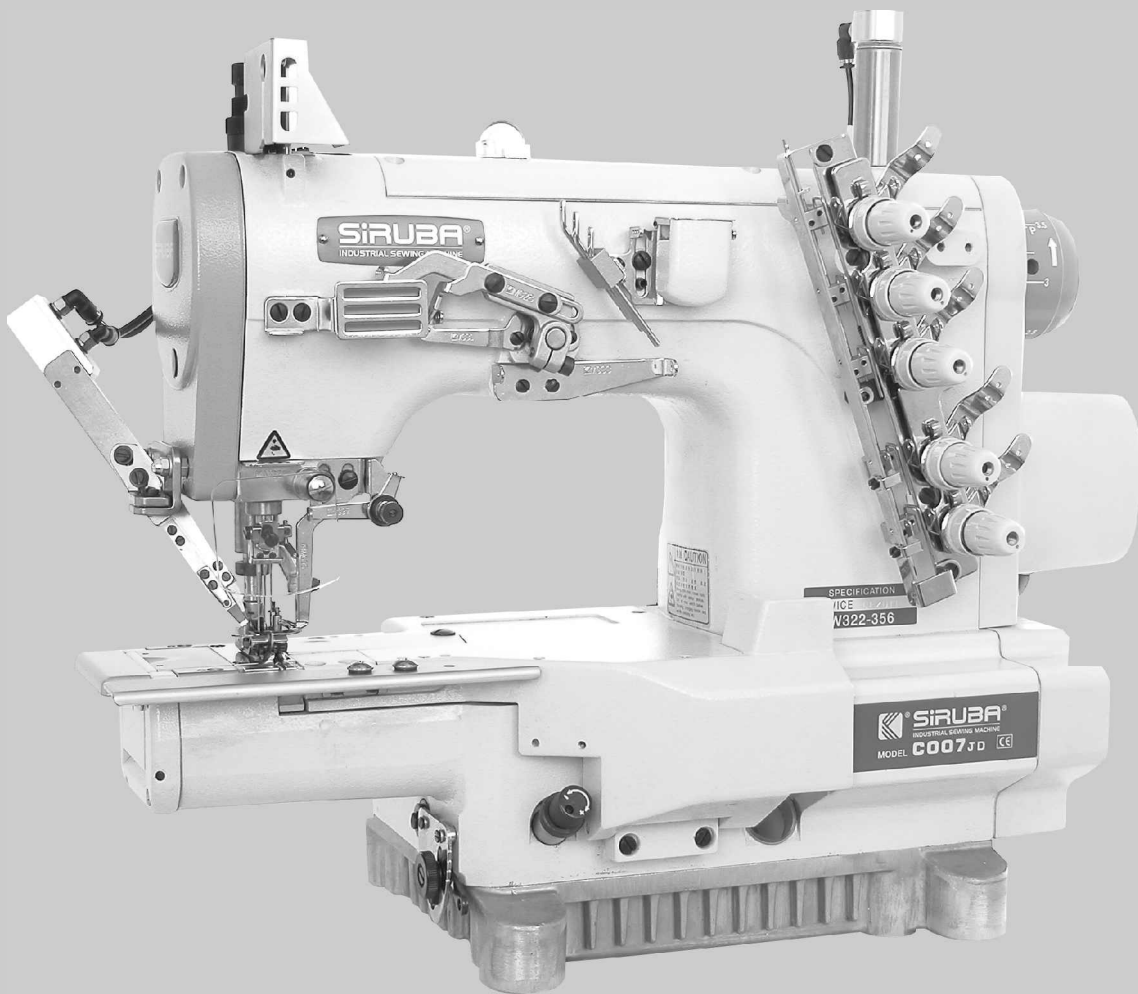


SIRUBA®

銀箭牌工業用縫紉機
INDUSTRIAL SEWING MACHINE

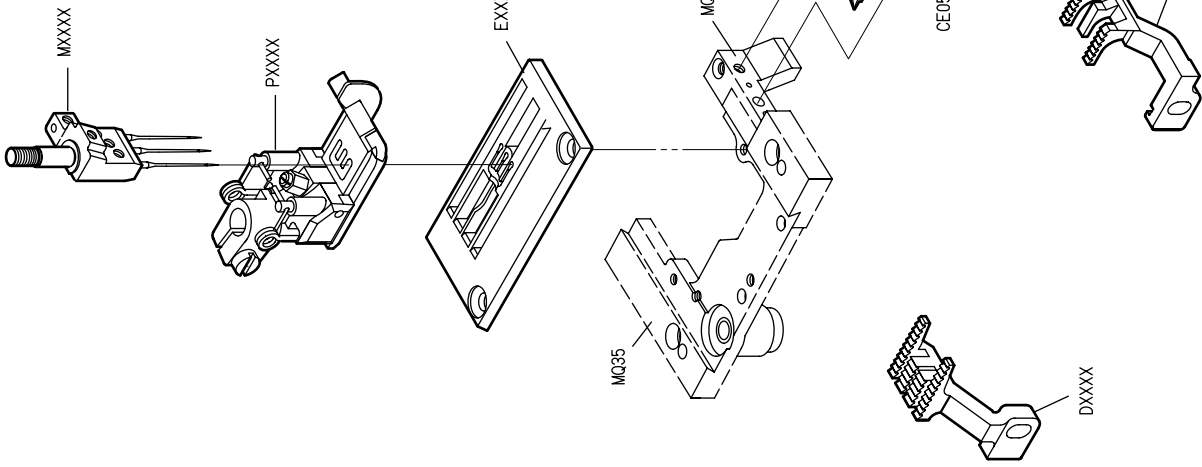
C/F007 ATTACHMENT

零件圖 PARTS LIST



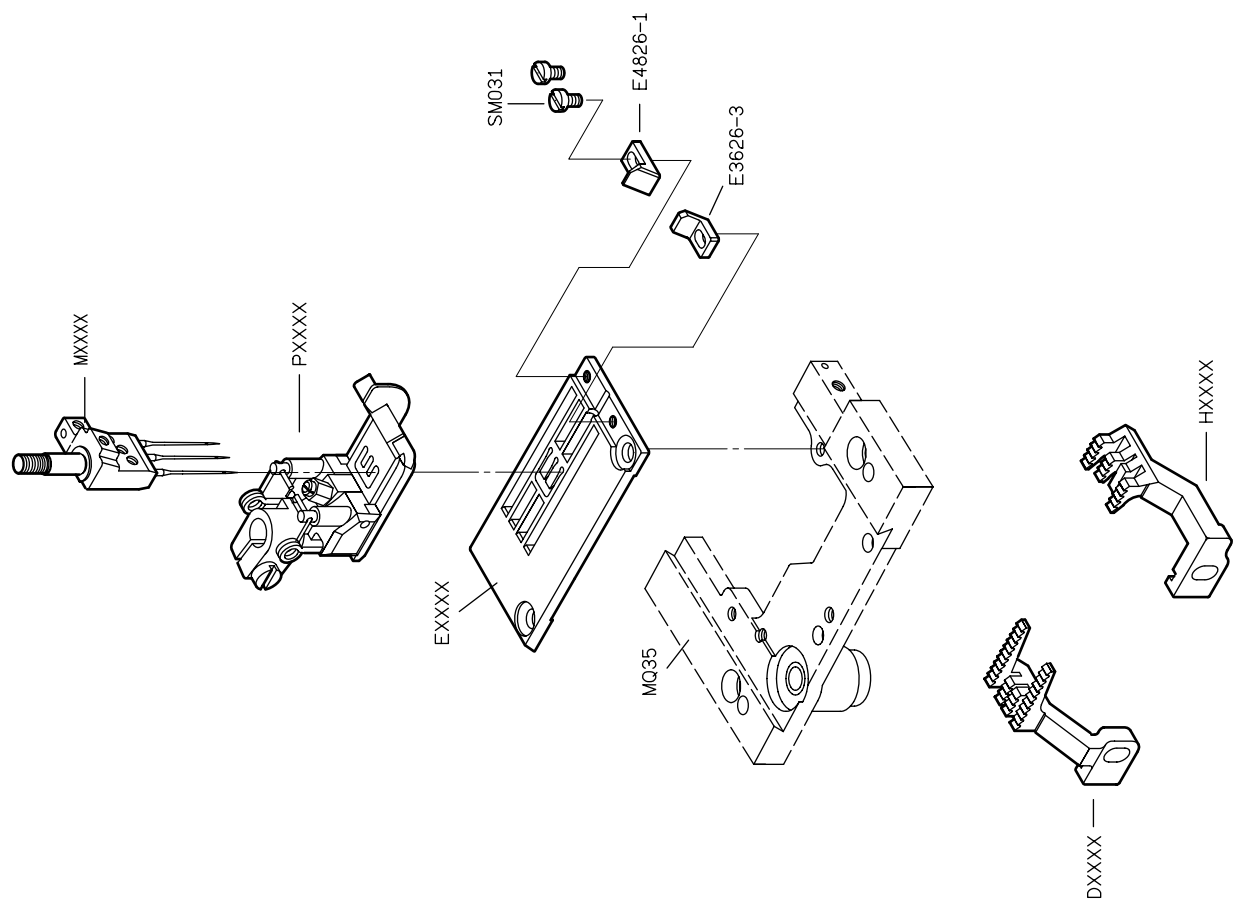
CE

 高林股份有限公司
KAULIN MFG. CO., LTD.



FOR C007J/C007JD

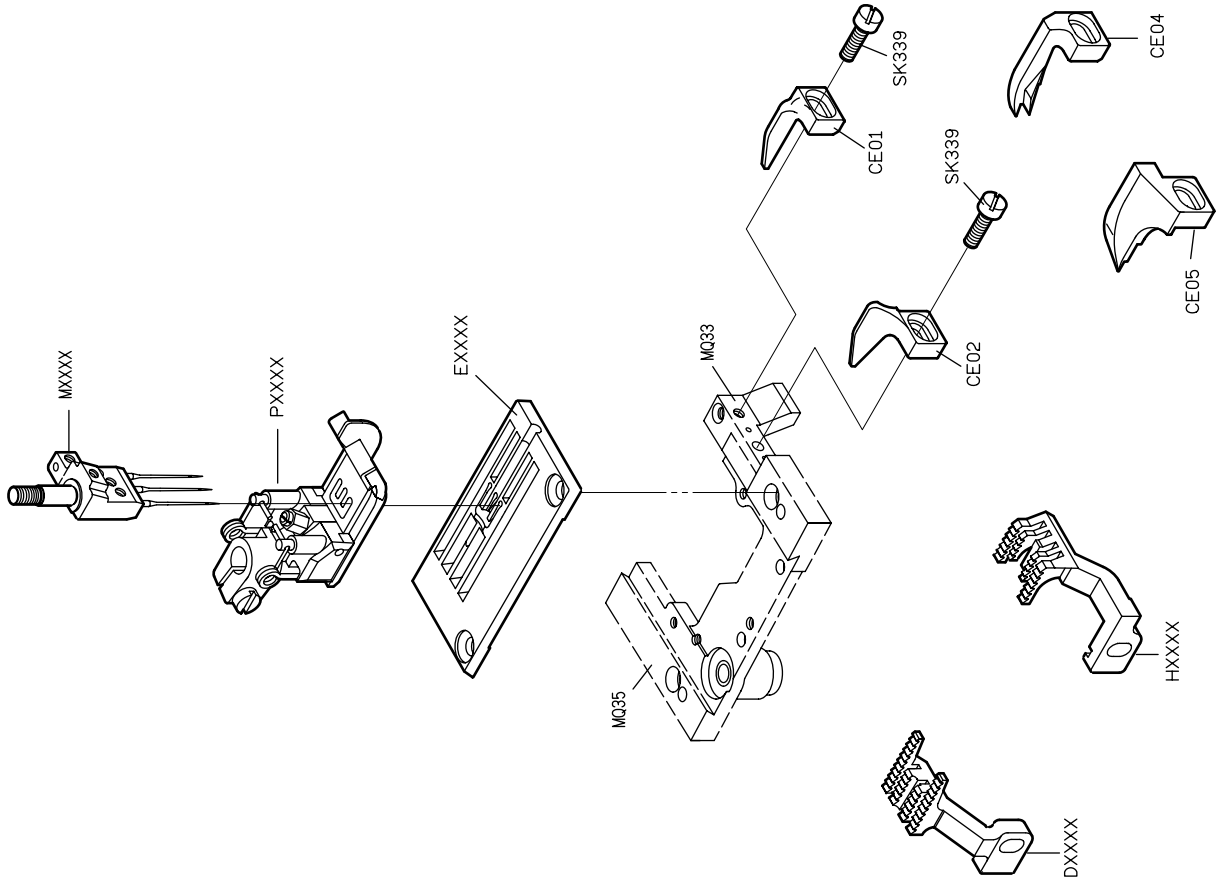
PARTS LIST FOR CC GROUP



FOR C007J/C007JD

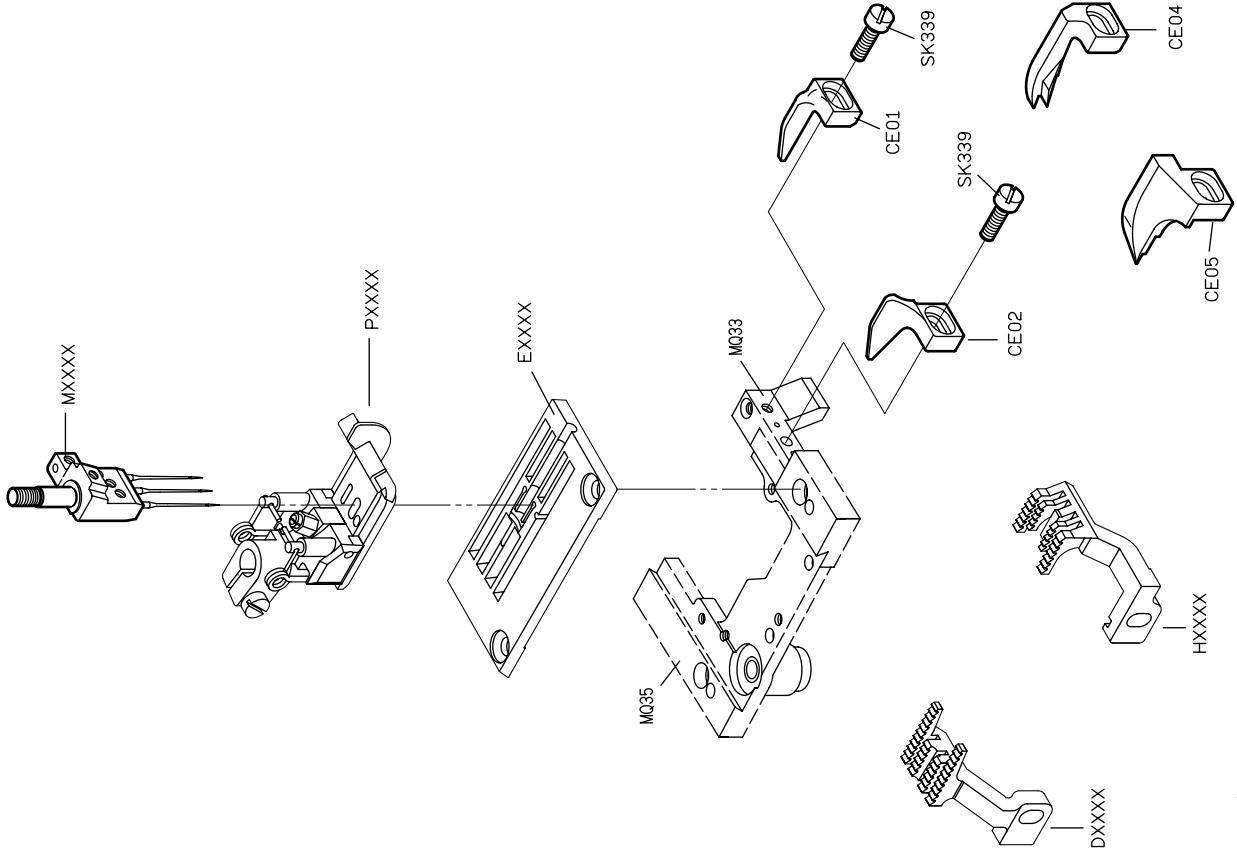
PARTS LIST FOR CD GROUP

PARTS LIST FOR CE GROUP

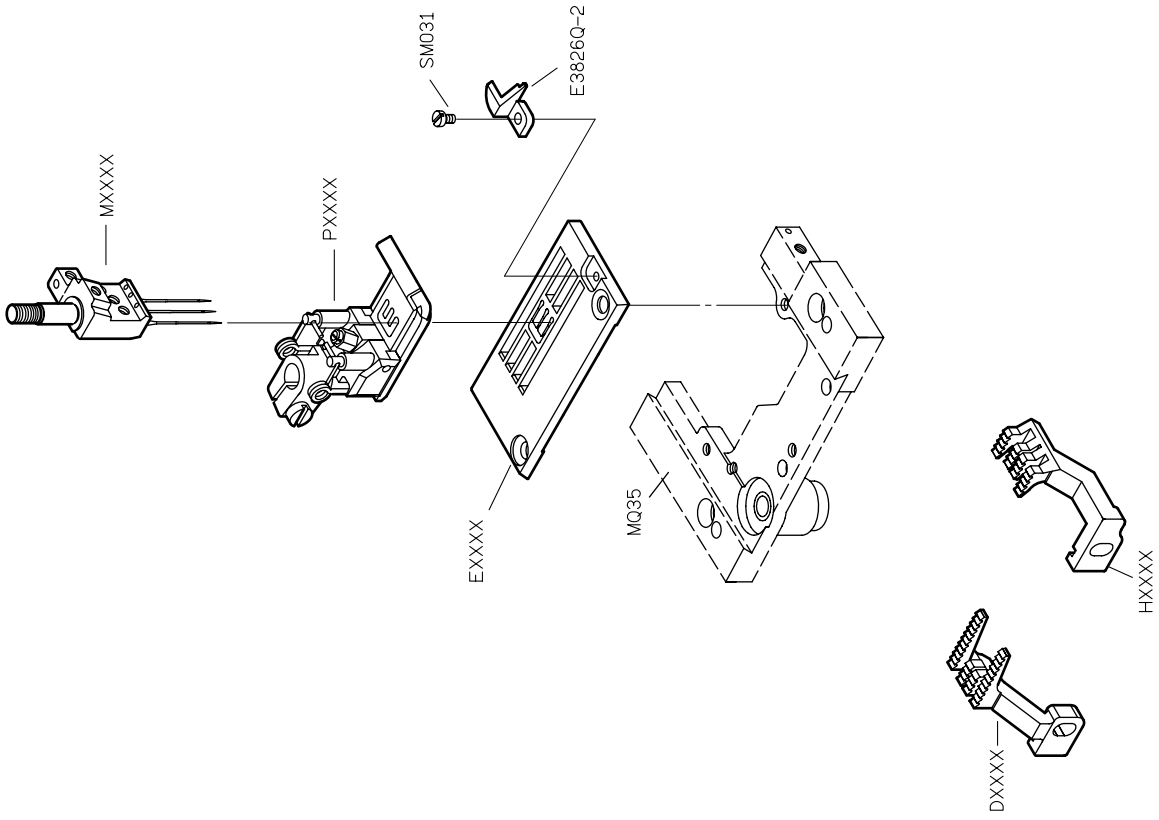


FOR C007J/C007JD

PARTS LIST FOR CF GROUP

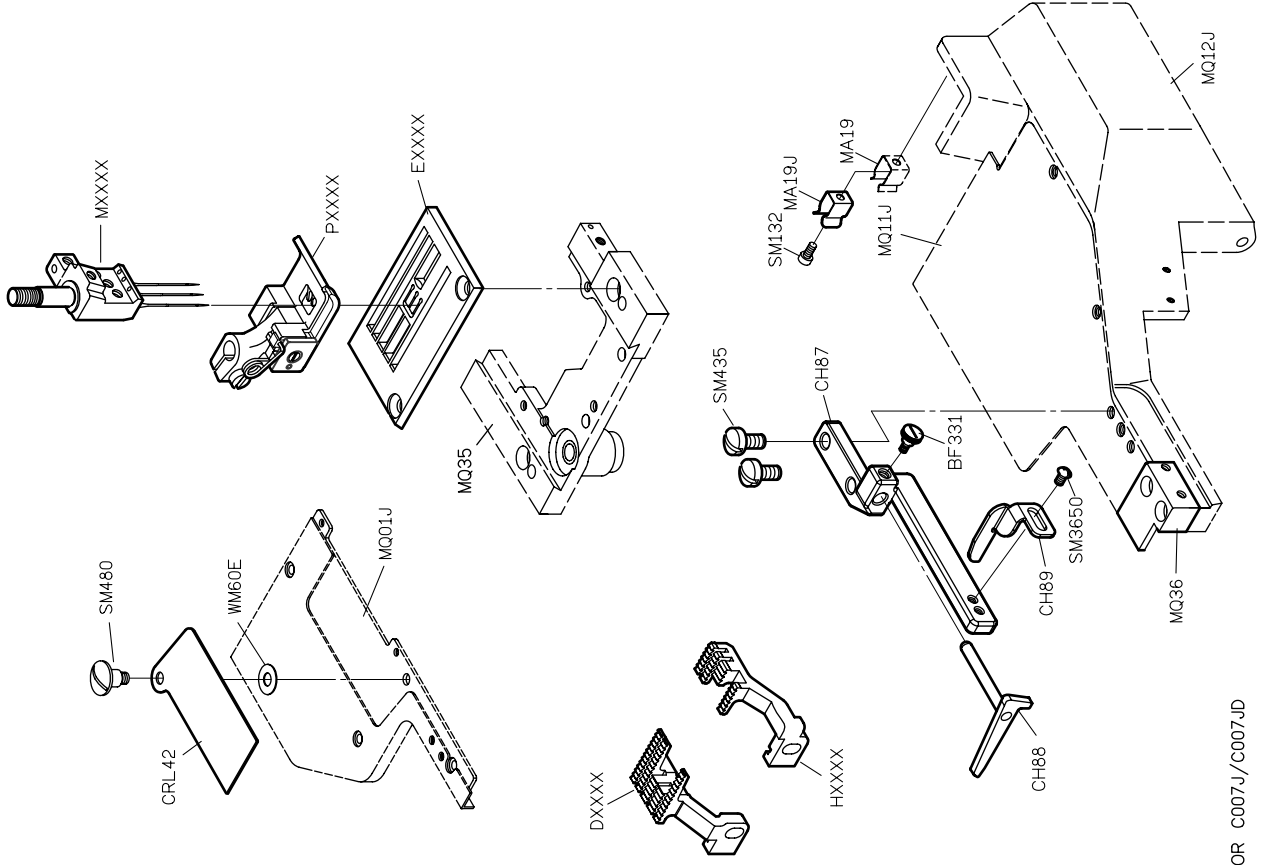


FOR C007J/C007JD



FOR C007J/C007JD

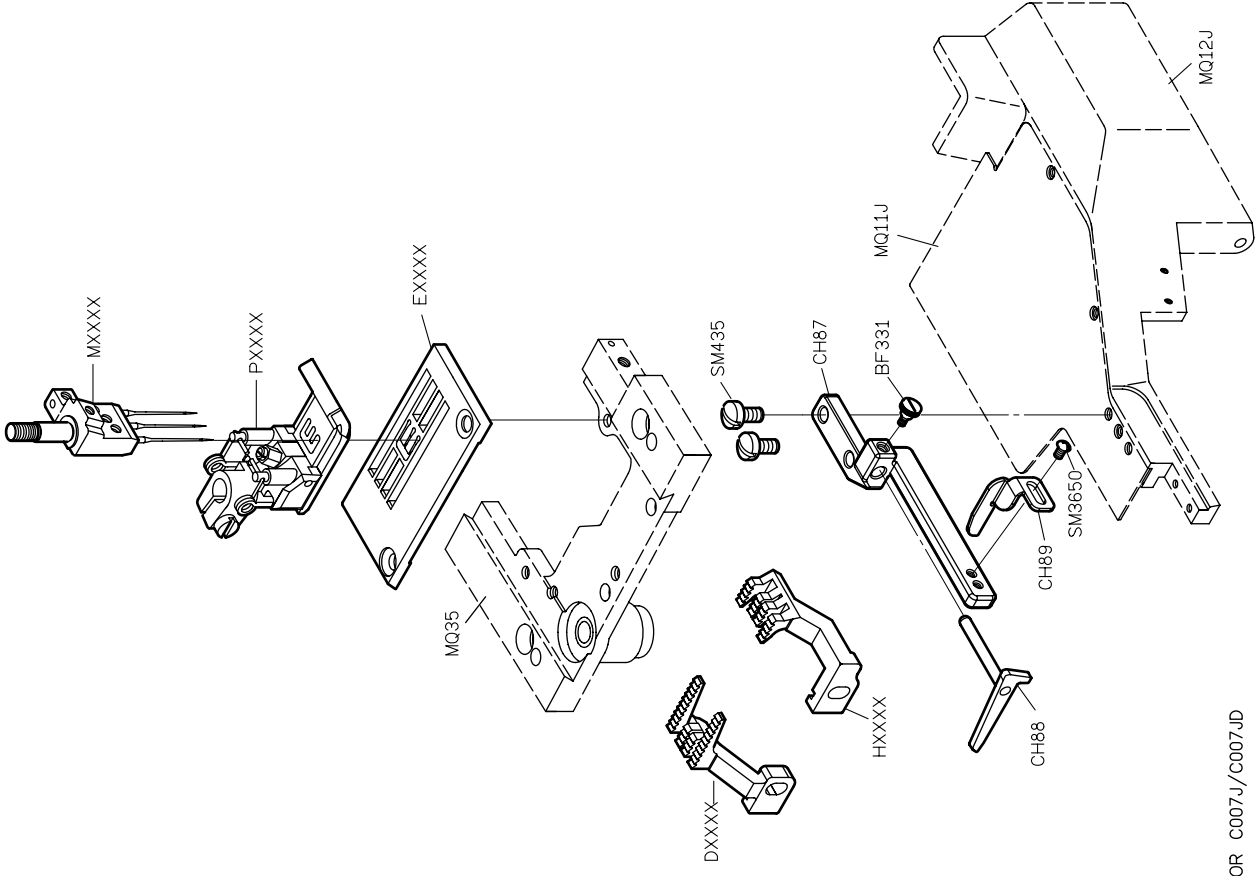
PARTS LIST FOR CHA GROUP



FOR C007J/C007JD

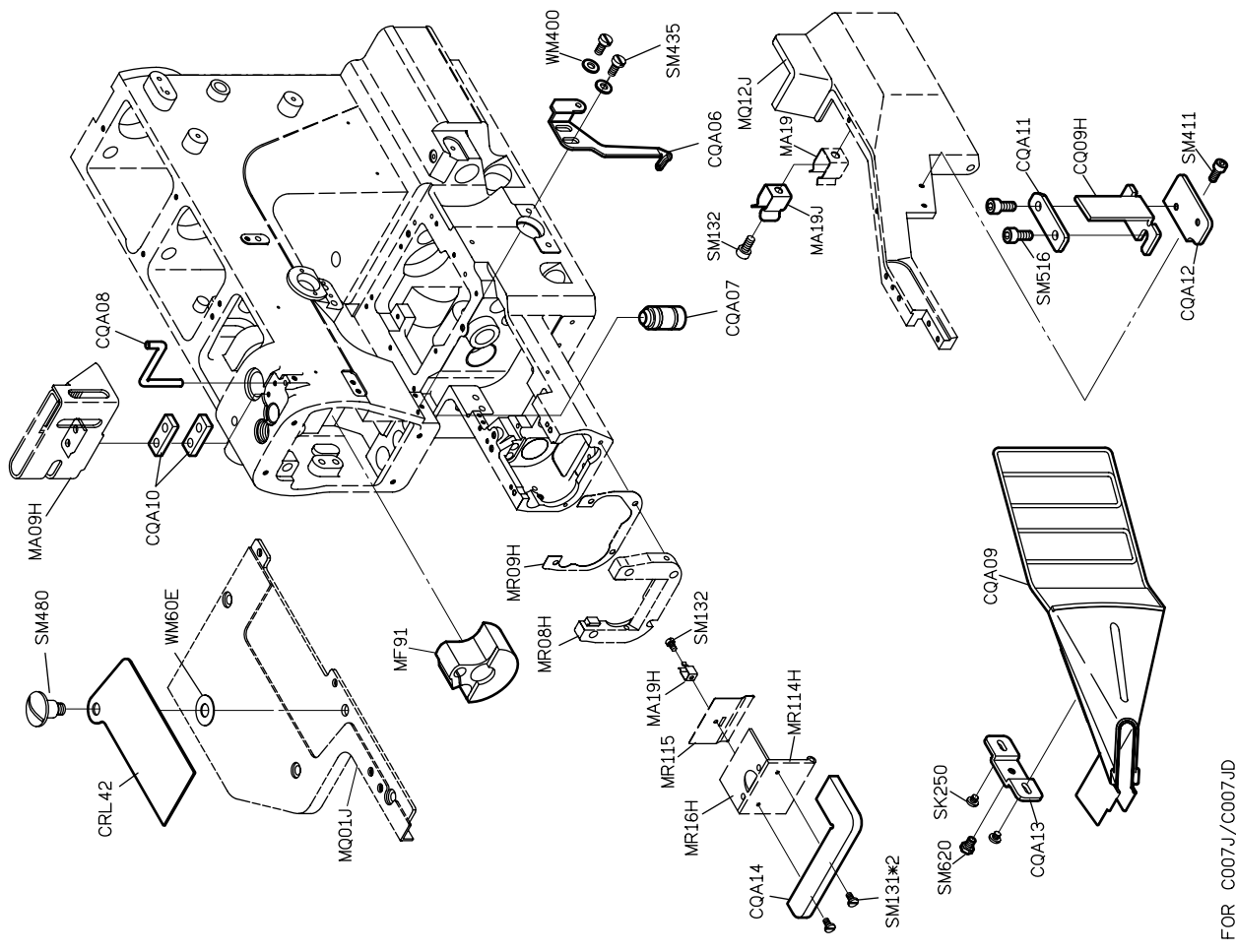
PARTS LIST FOR CHE GROUP

PARTS LIST FOR CH GROUP

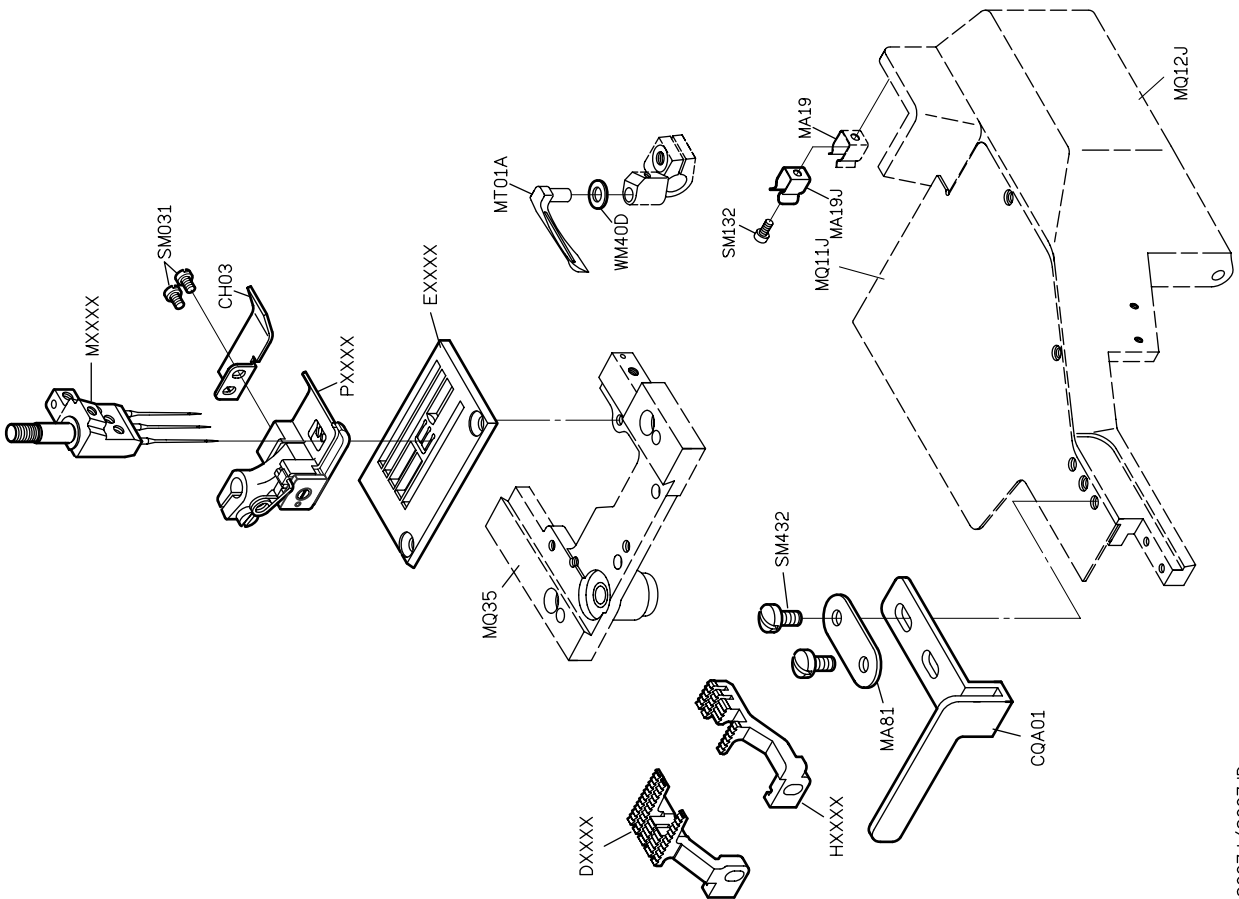


FOR C007J/C007JD

PARTS LIST FOR CQA GROUP

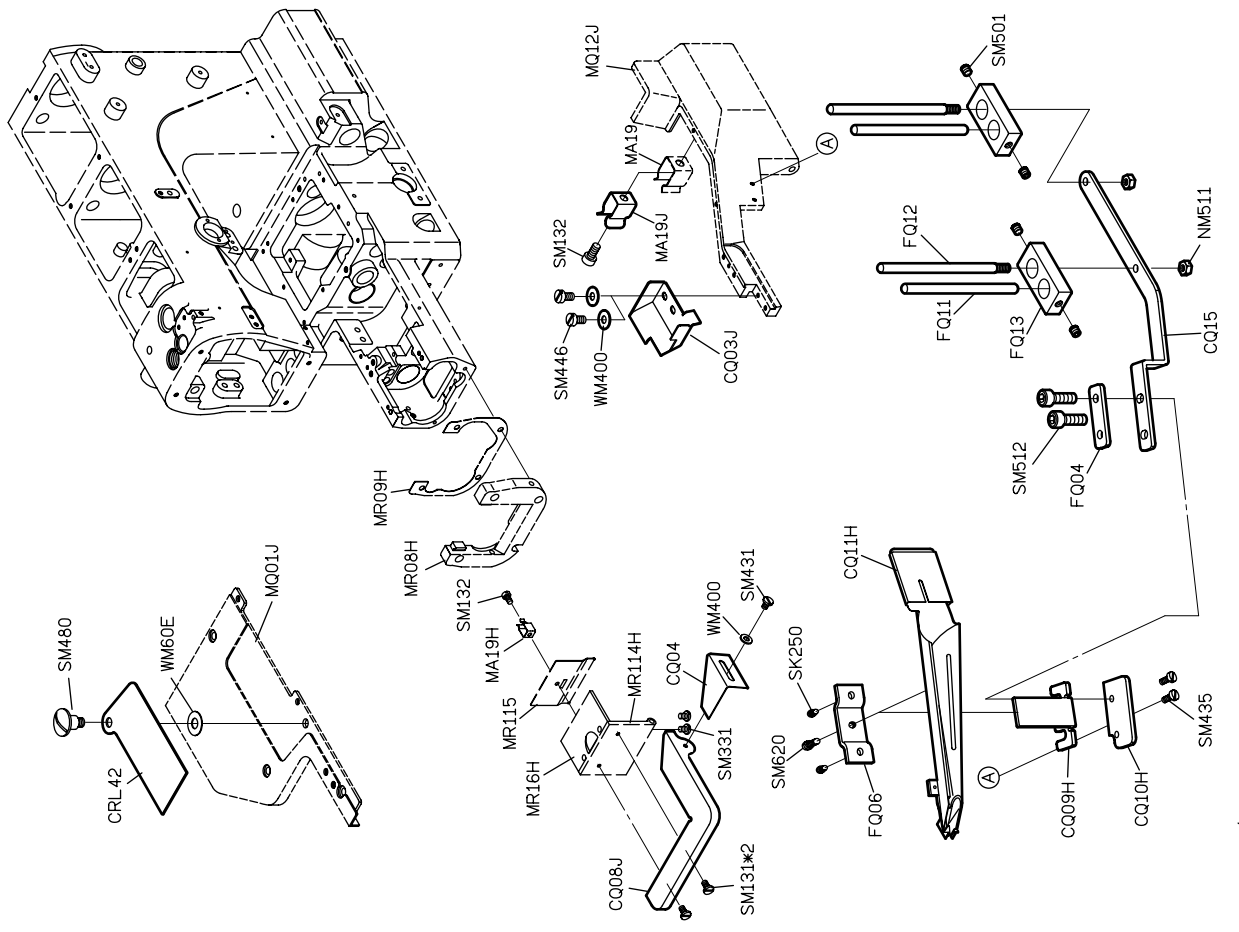


FOR C007J/C007JD



FOR C007J/C007JD

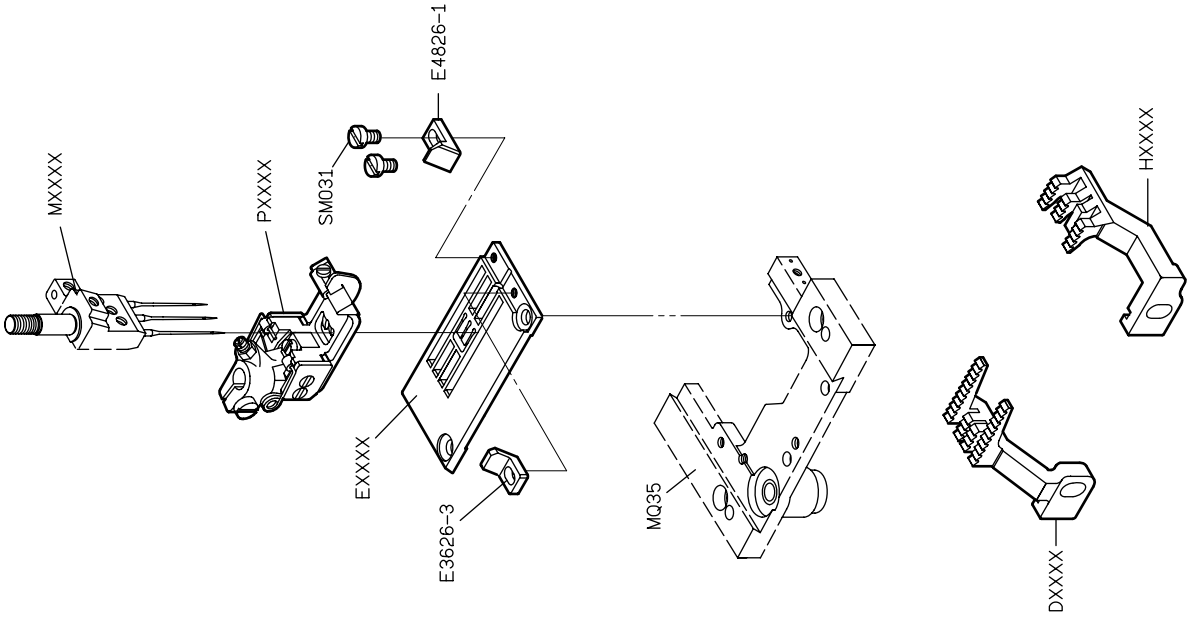
PARTS LIST FOR CQA GROUP



FOR C007J/C007JD *三*

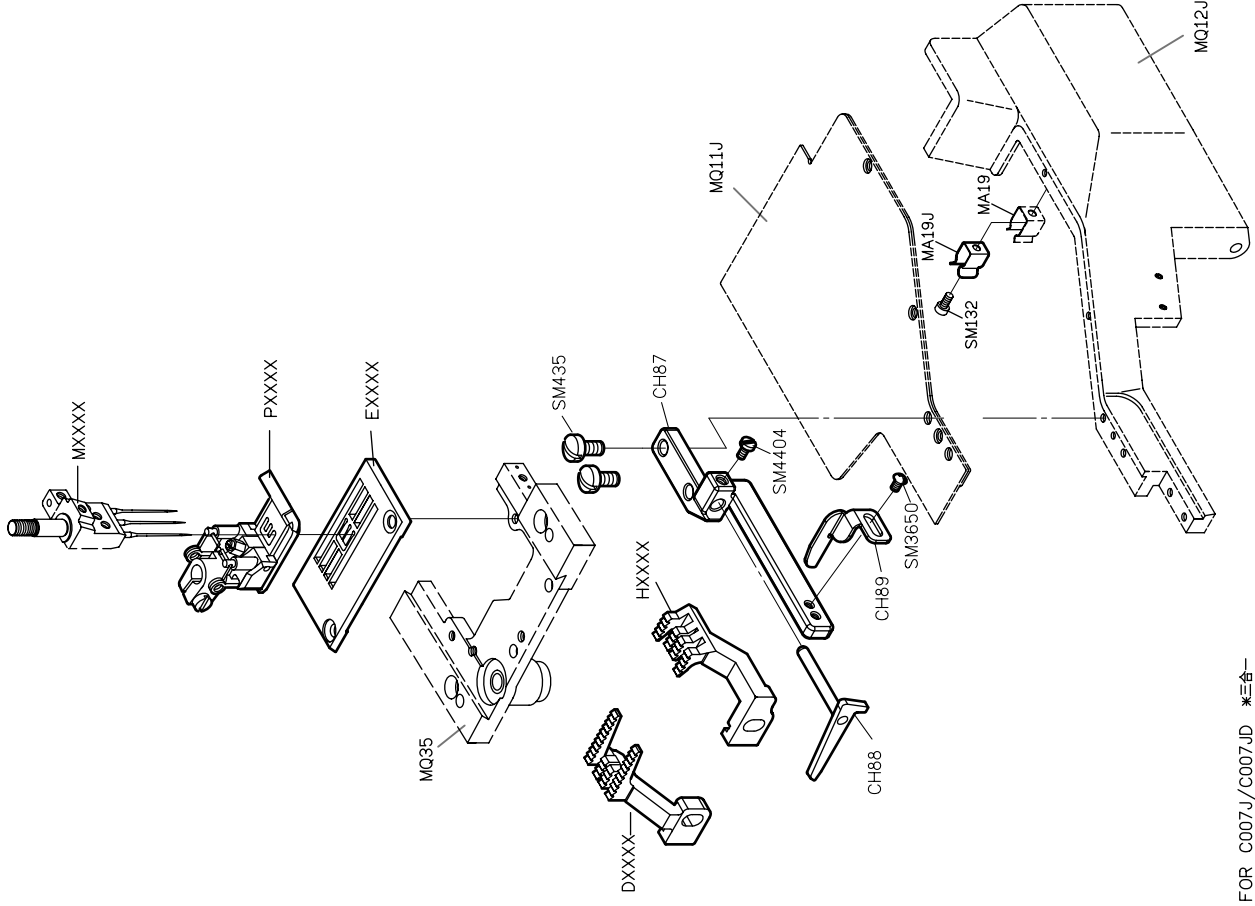
PARTS LIST FOR CQB GROUP

PARTS LIST FOR CQB GROUP

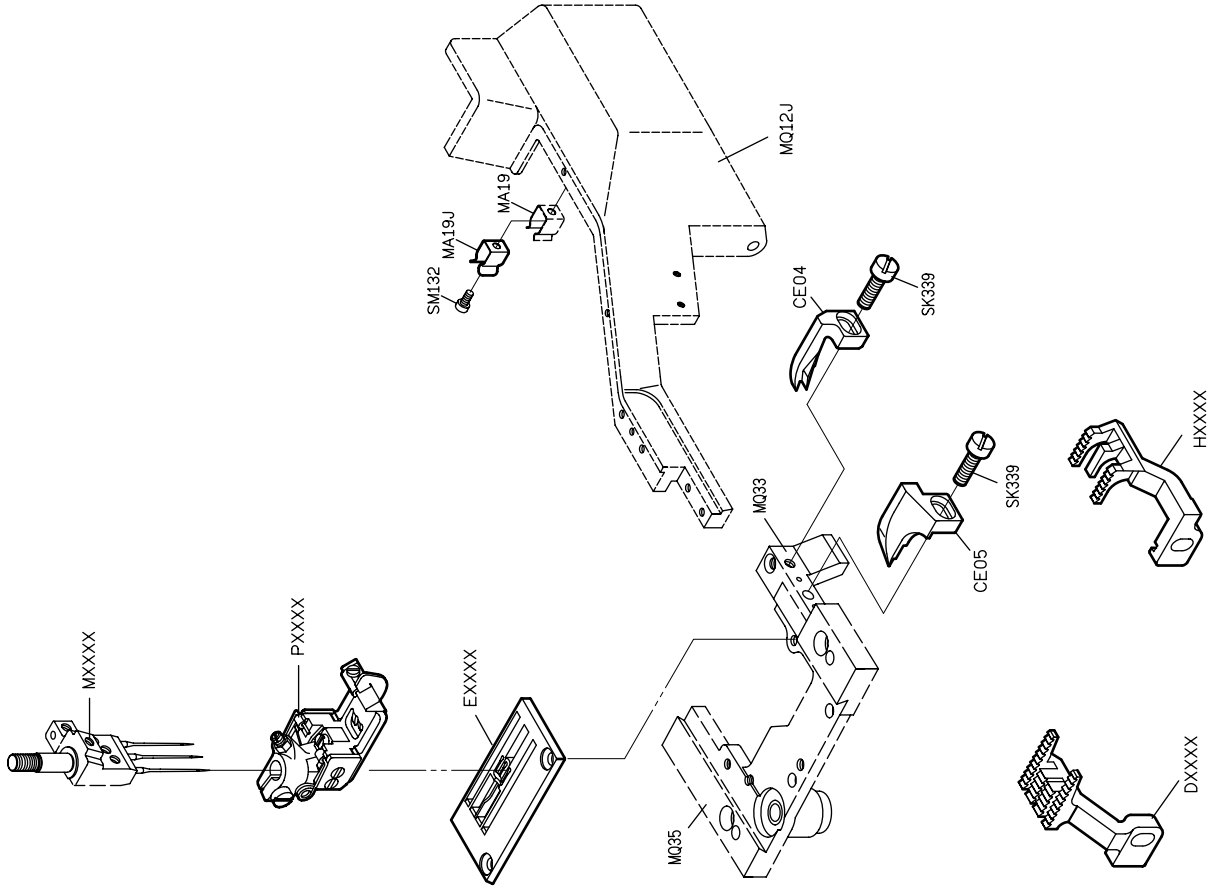


FOR C007J/C007JD *三合*

PARTS LIST FOR CQB GROUP

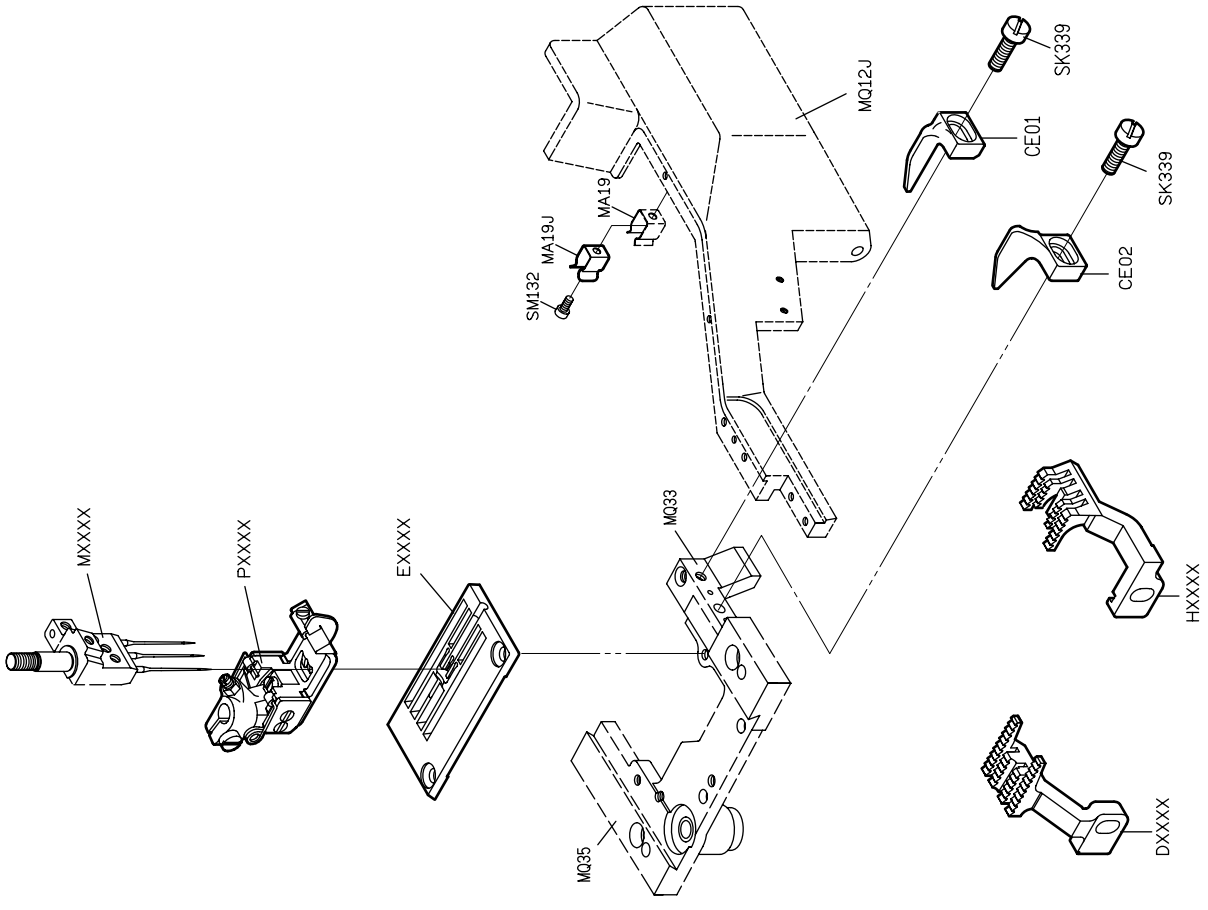


FOR C007J/C007JD *三合*



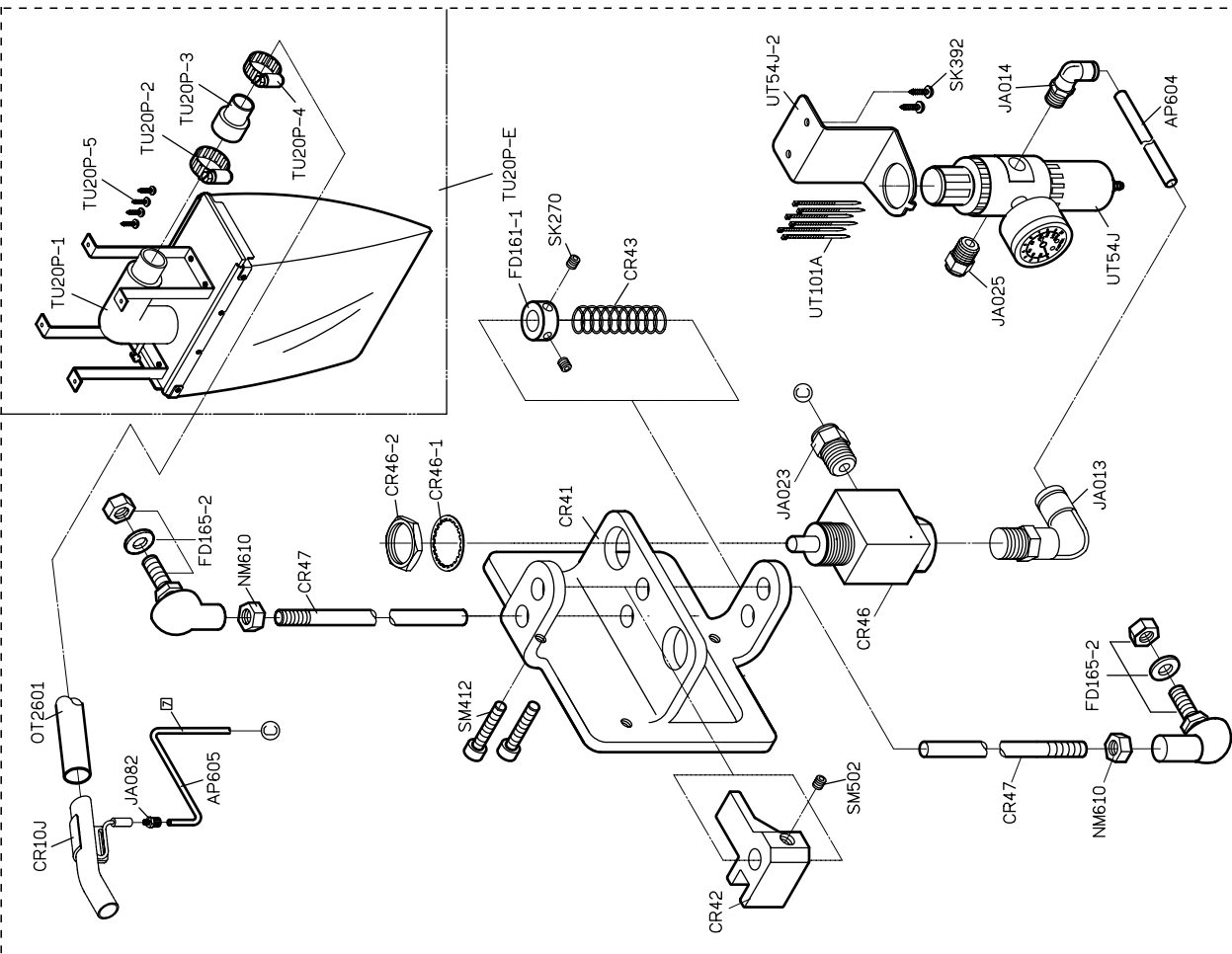
FOR C007J/C007JD 参考

PARTS LIST FOR CQB GROUP



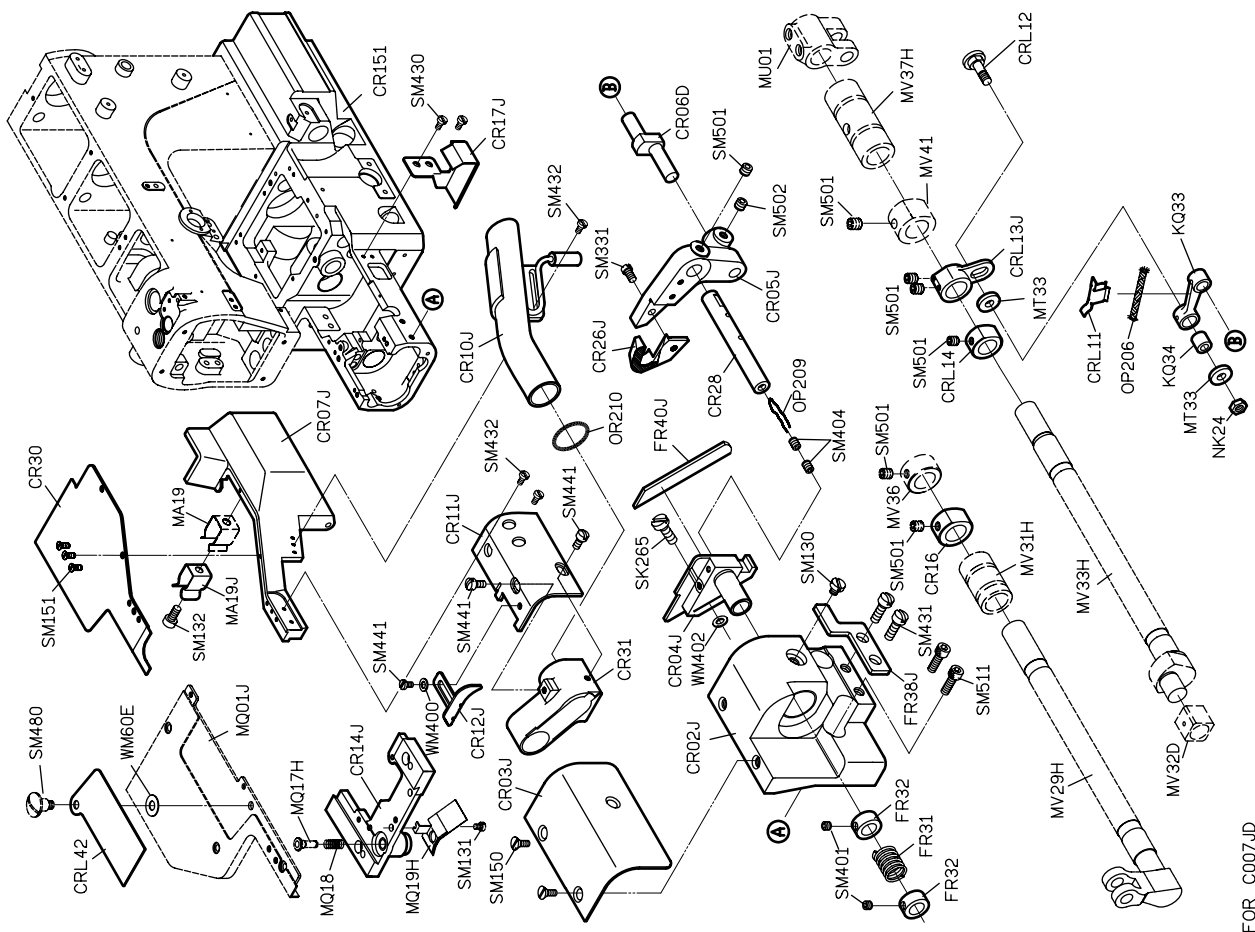
FOR C007J/C007JD 参考

PARTS LIST FOR CQB GROUP



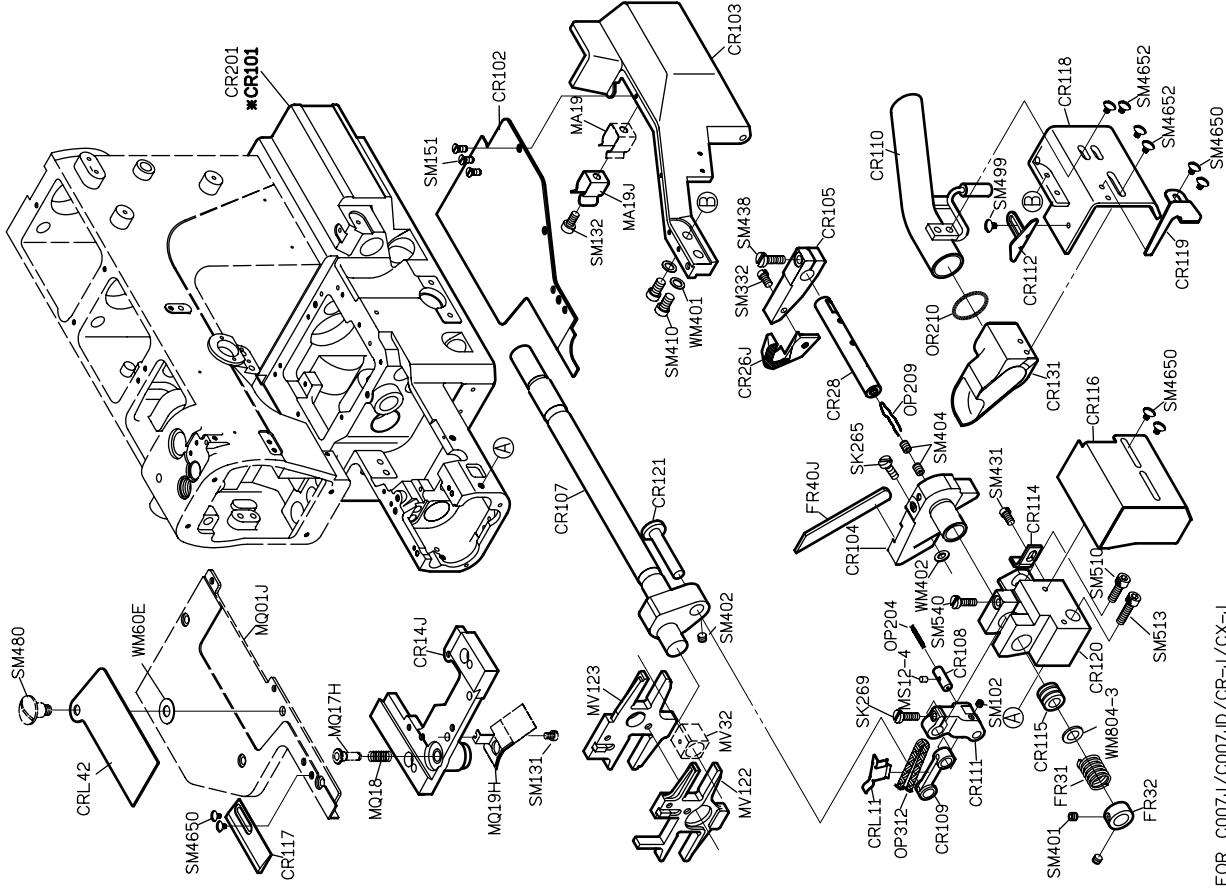
FOR C007J/CRA-J / NO USE UTP / Q SISYSTEM
 C007JD/CRA-J

PARTS LIST FOR CRA GROUP

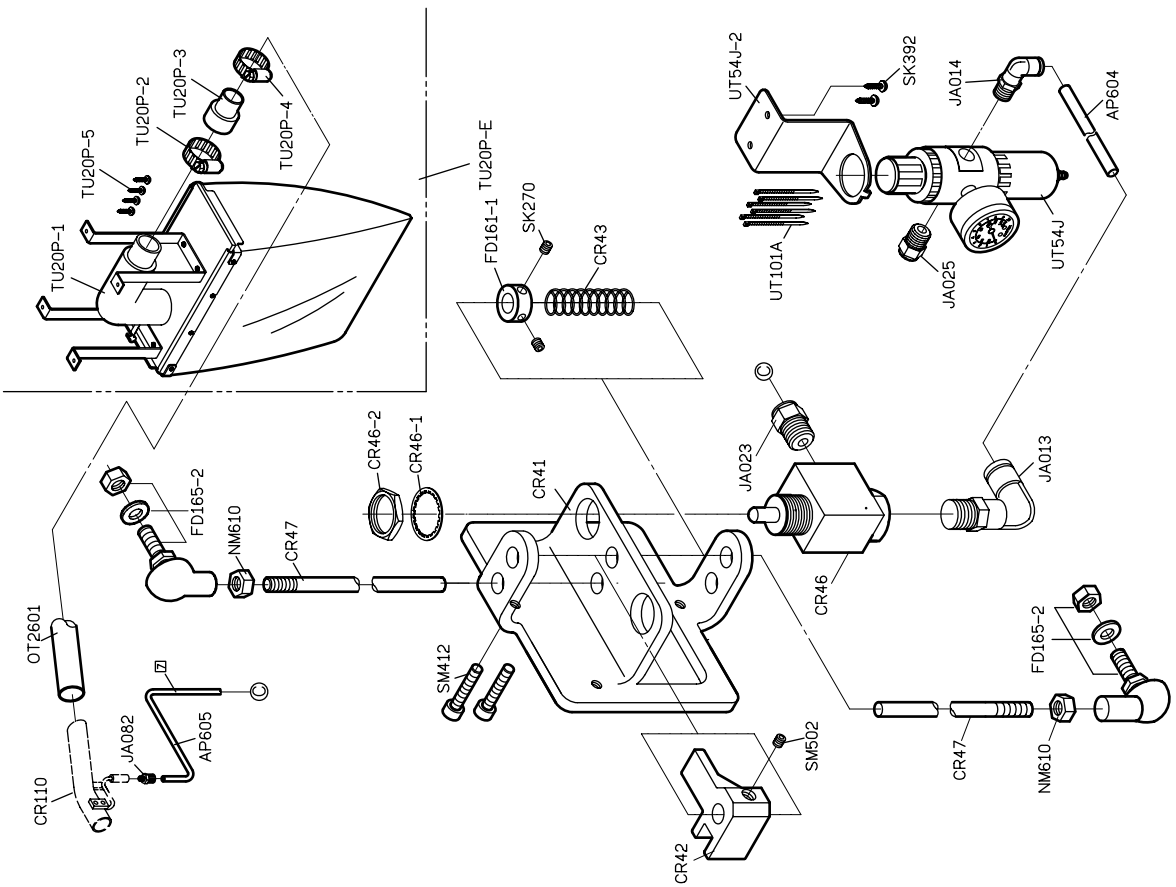


FOR C007JD

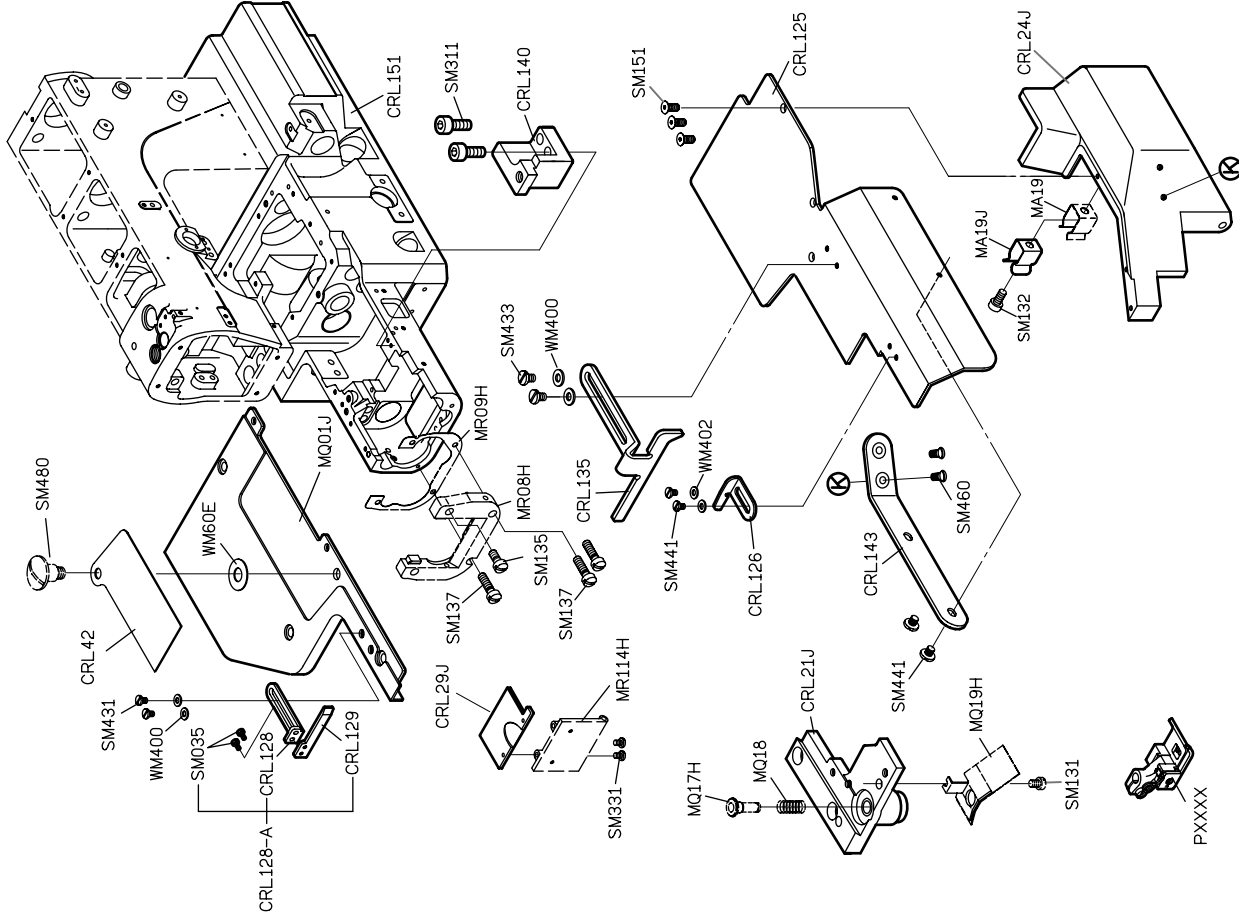
PARTS LIST FOR CRA GROUP



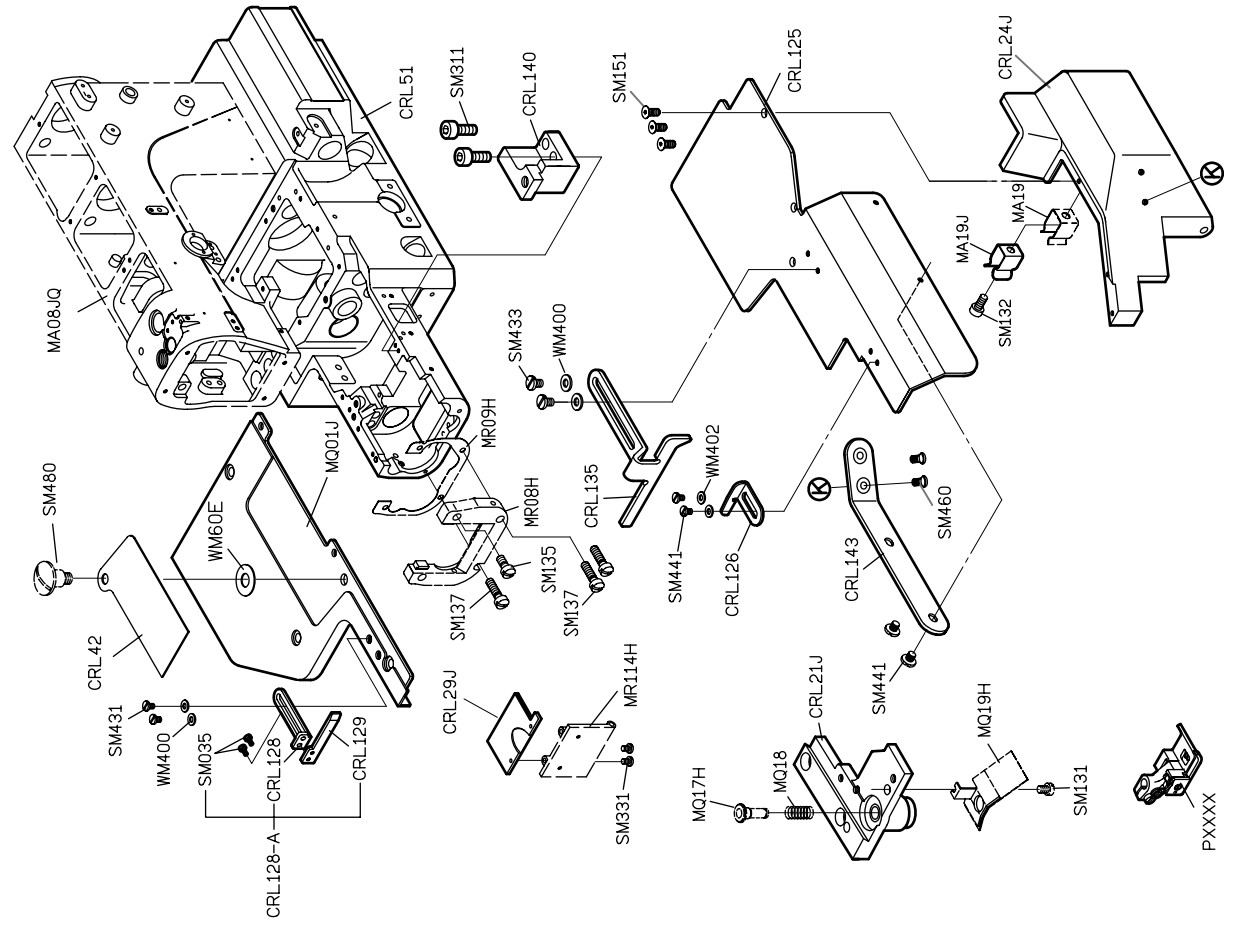
FOR C007J/C007JD/CR-J/CX-J
 * FOR C007JD/CR-J/CX-J



FOR C007J/CR-J
 C007JD/CR-J > NO USE UTP / Q SISYSTEM



FOR C007JD

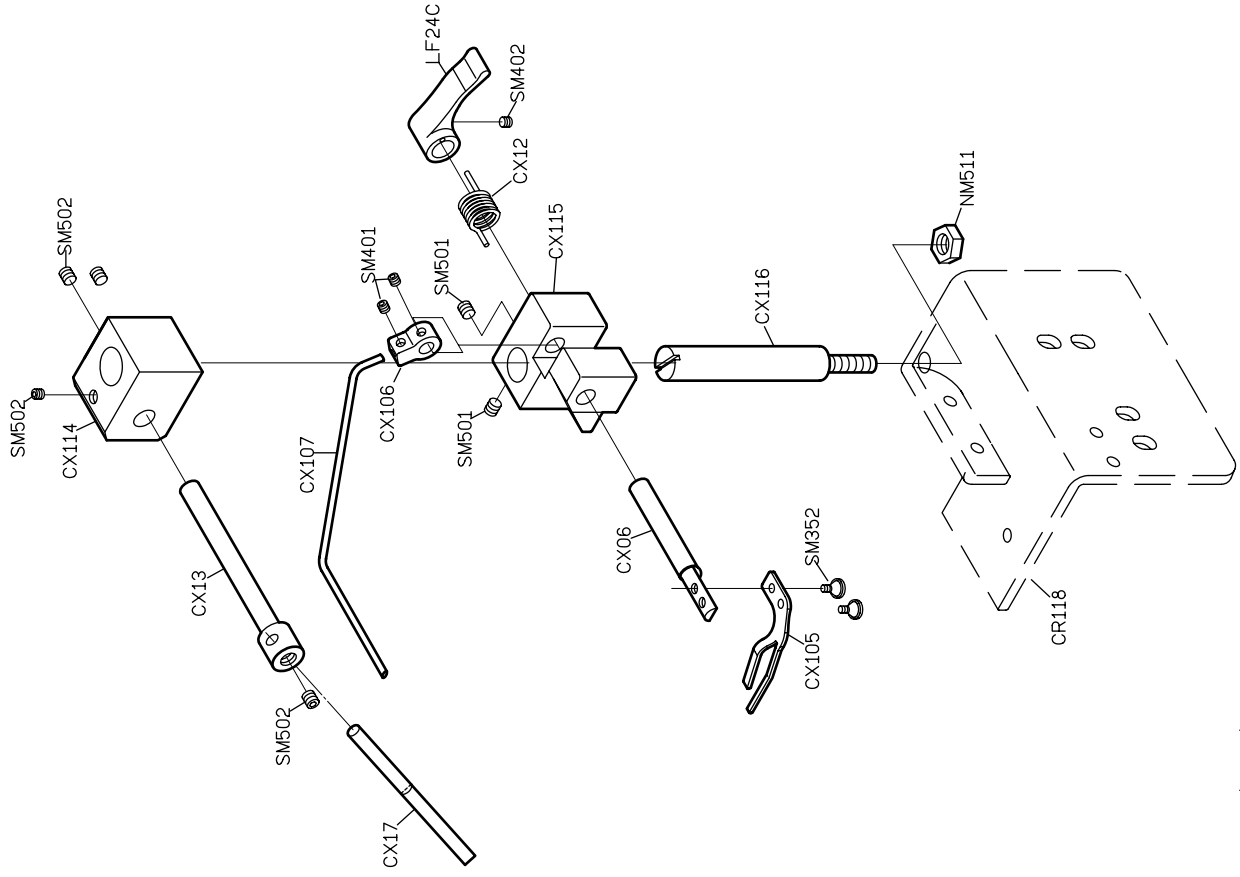


FOR C007J

PARTS LIST FOR CRL GROUP

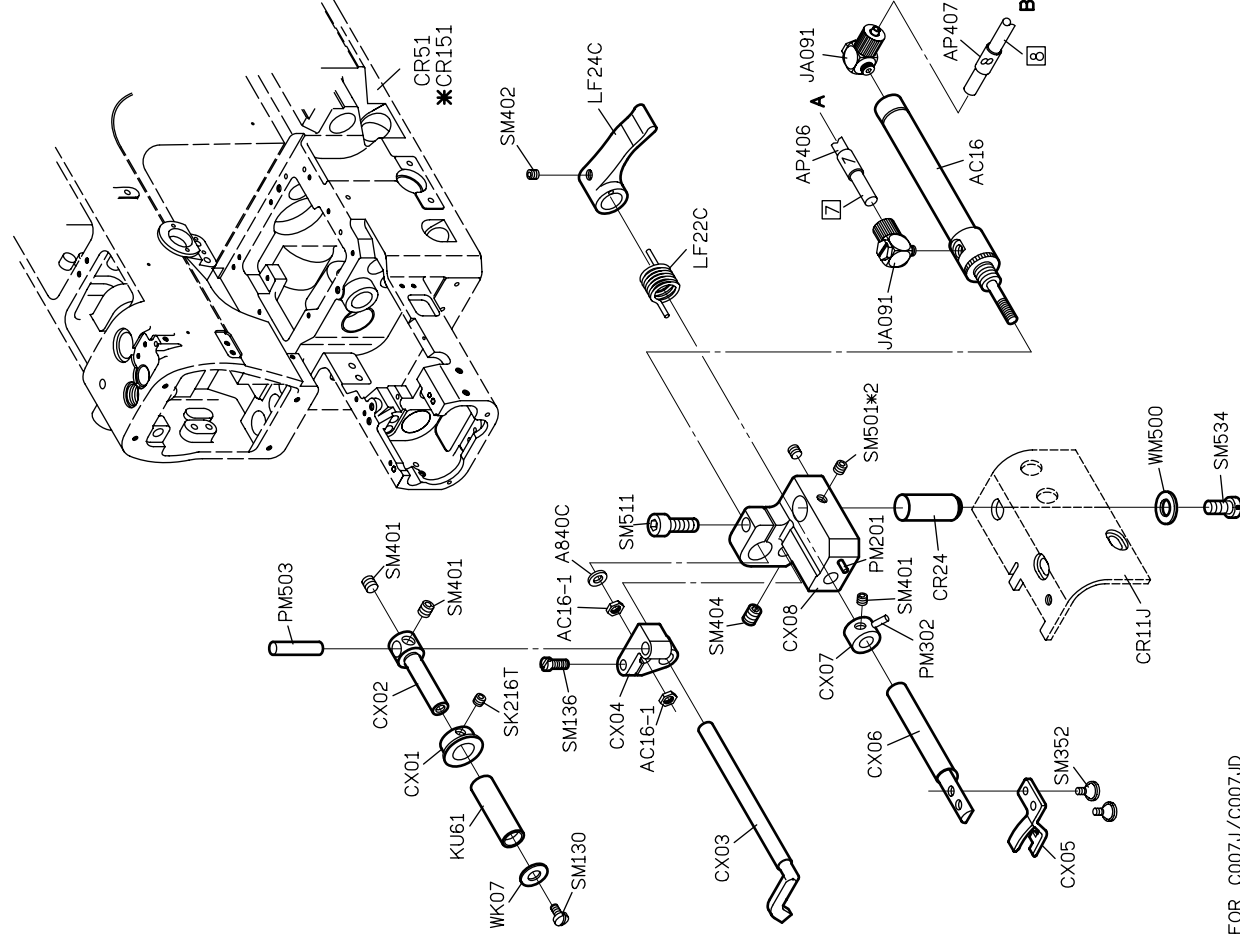
PARTS LIST FOR CRL GROUP

PARTS LIST FOR CX GROUP

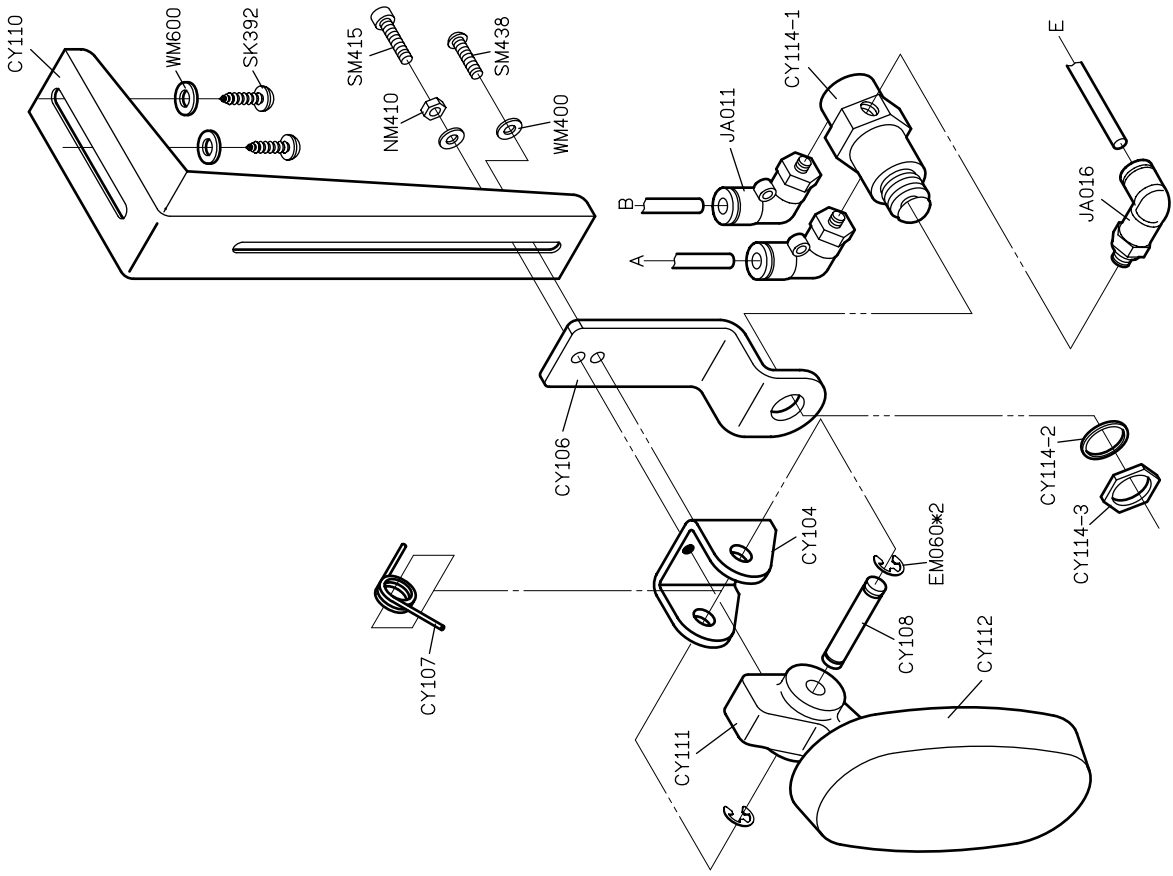


FOR C007J/CR-J/CX-J

PARTS LIST FOR CXA GROUP

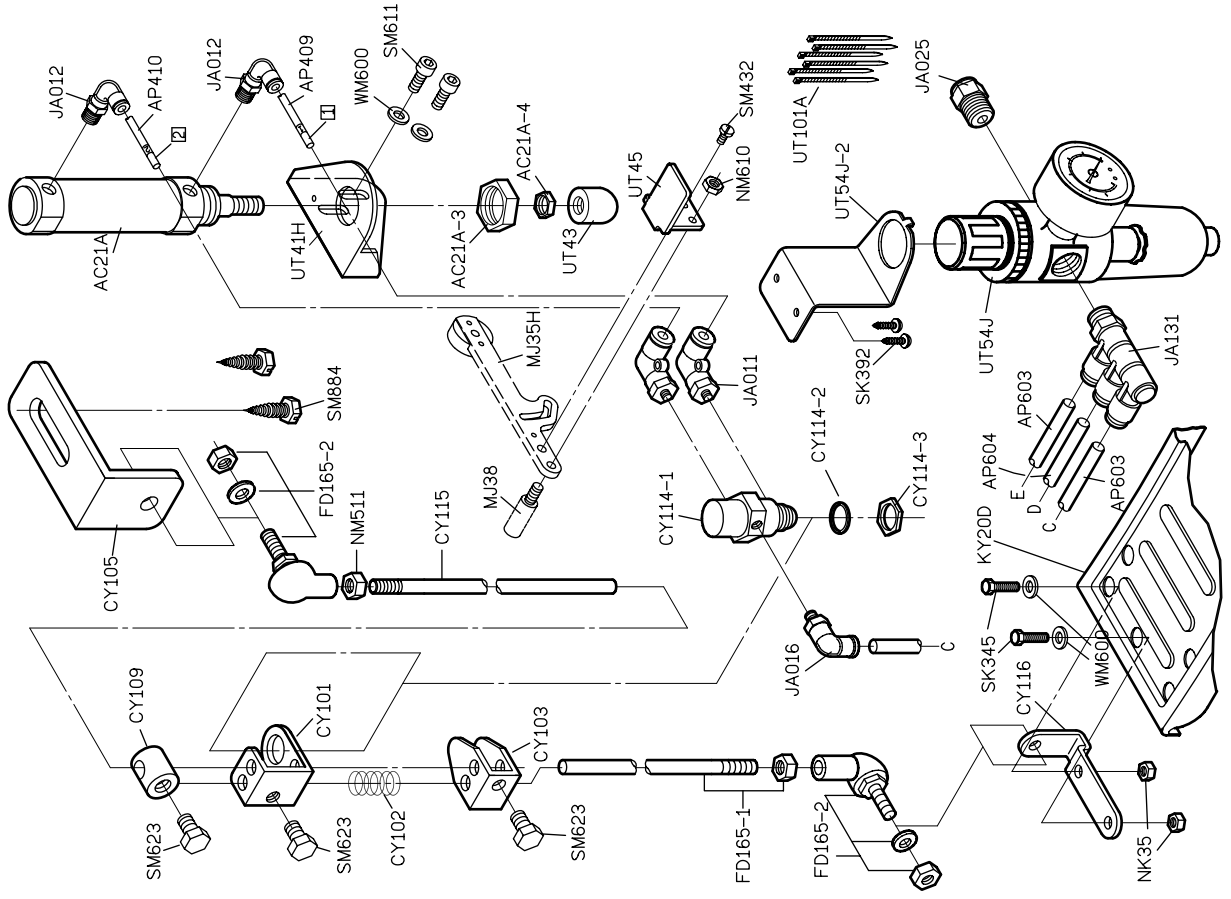


FOR C007J/C007JD
* USE FOR C007JD



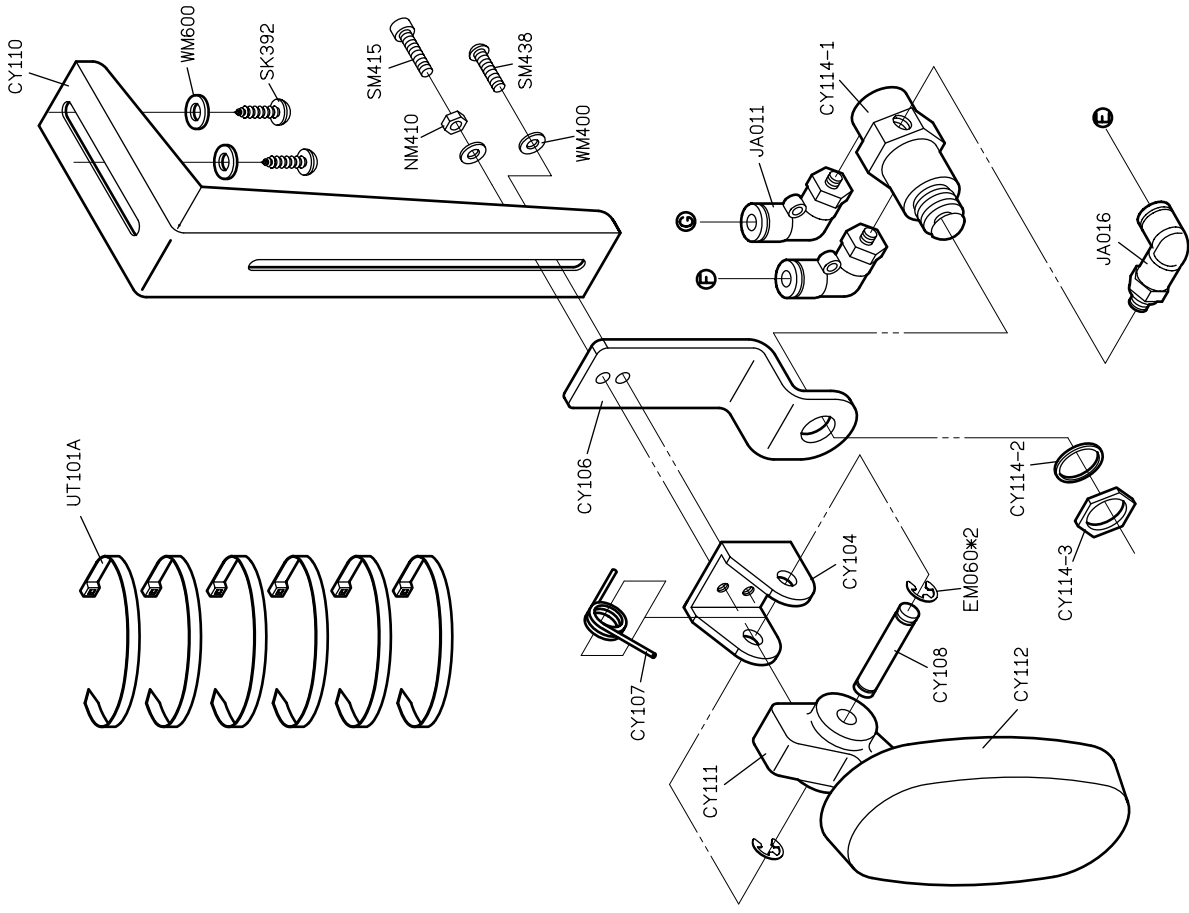
FOR C007H/C007J/C007JD

PARTS LIST FOR CXA GROUP

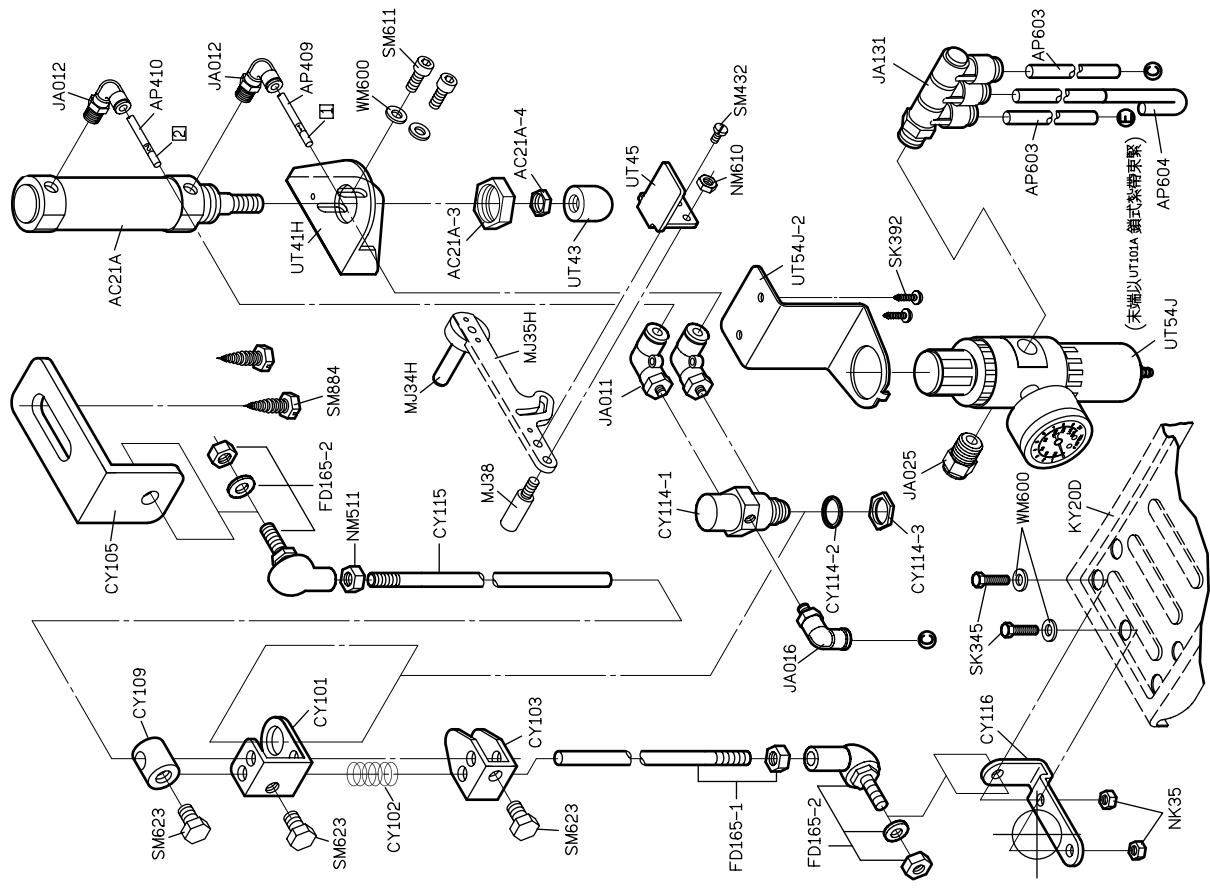


FOR C007H/C007J/C007JD

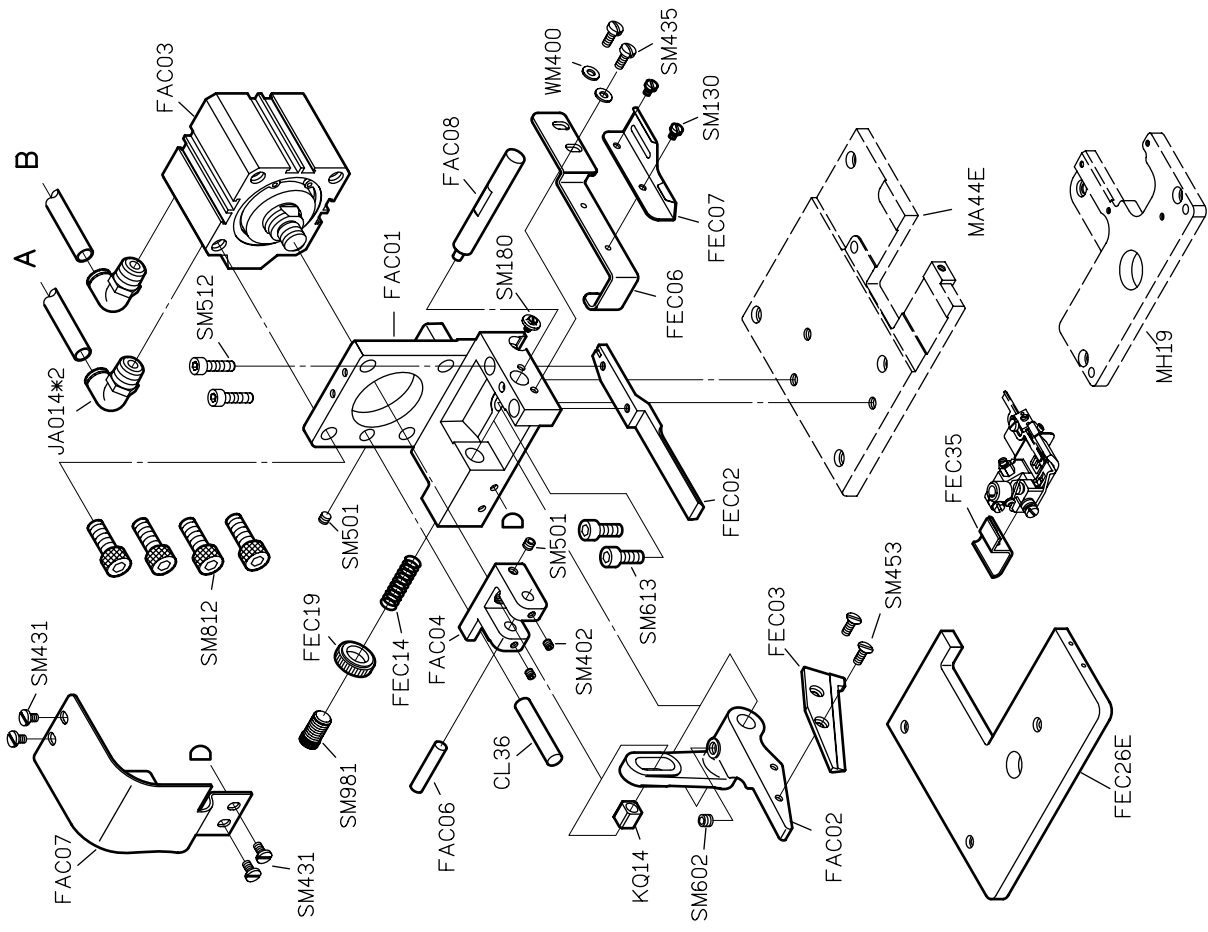
PARTS LIST FOR CXA GROUP



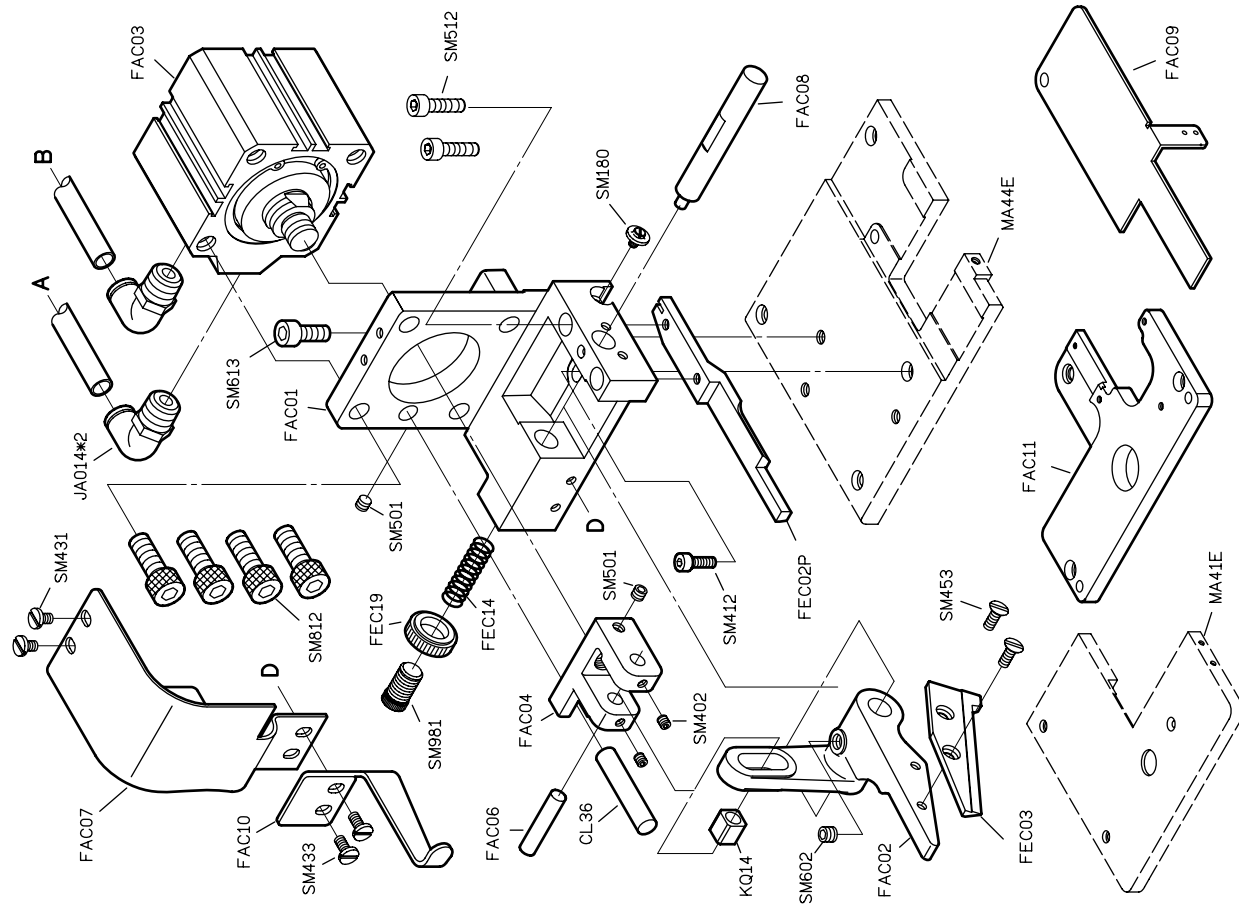
FOR C007J/C007JD



FOR C007J/C007JD



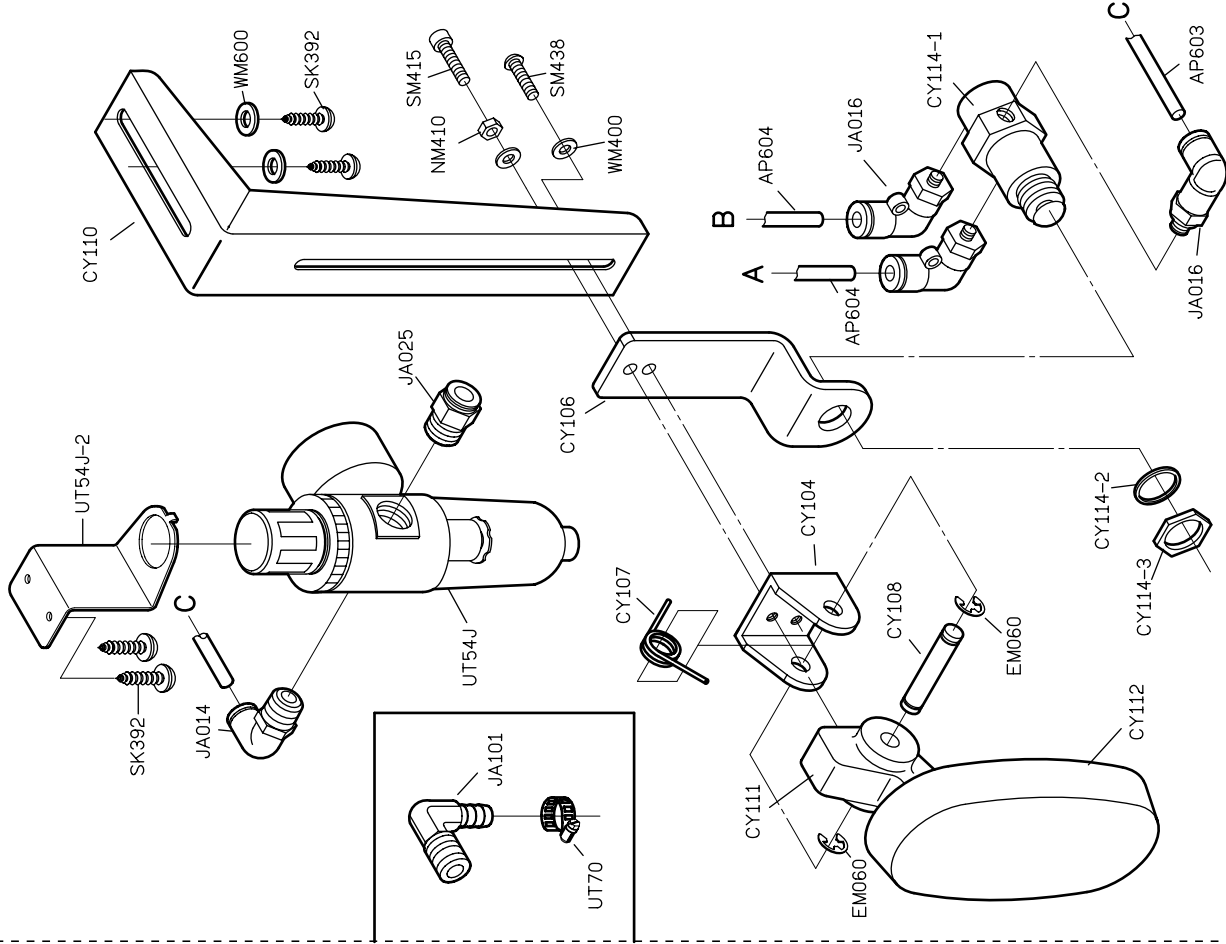
FOR F007H



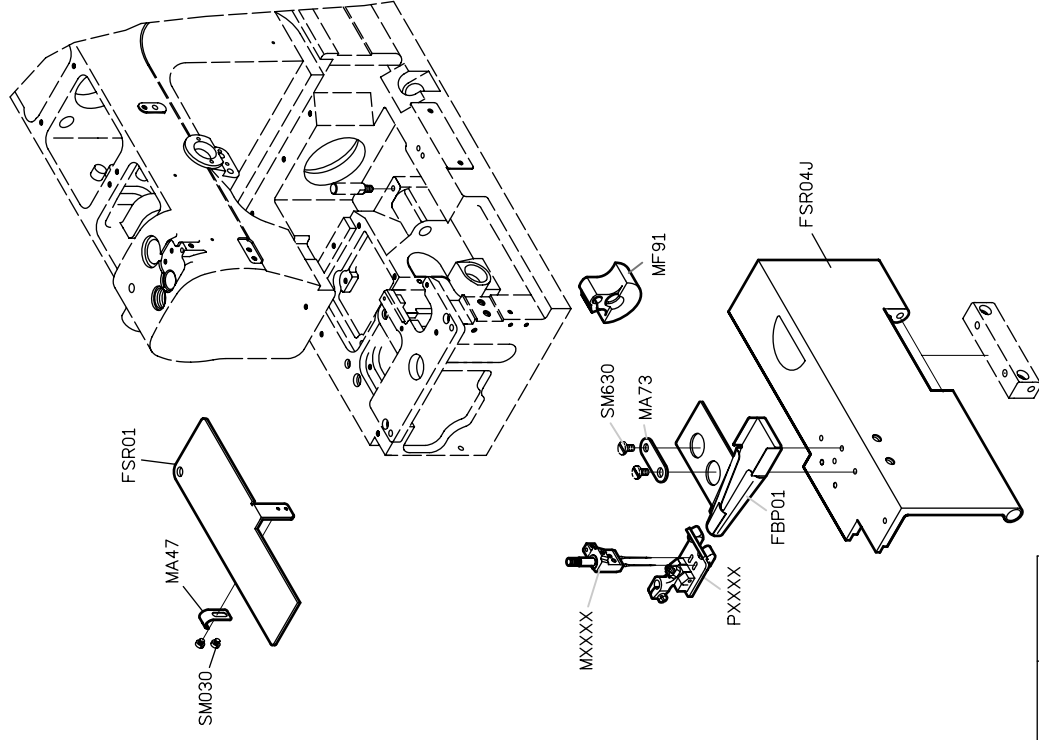
FOR F007H

PARTS LIST FOR FAC GROUP

PARTS LIST FOR FAC GROUP

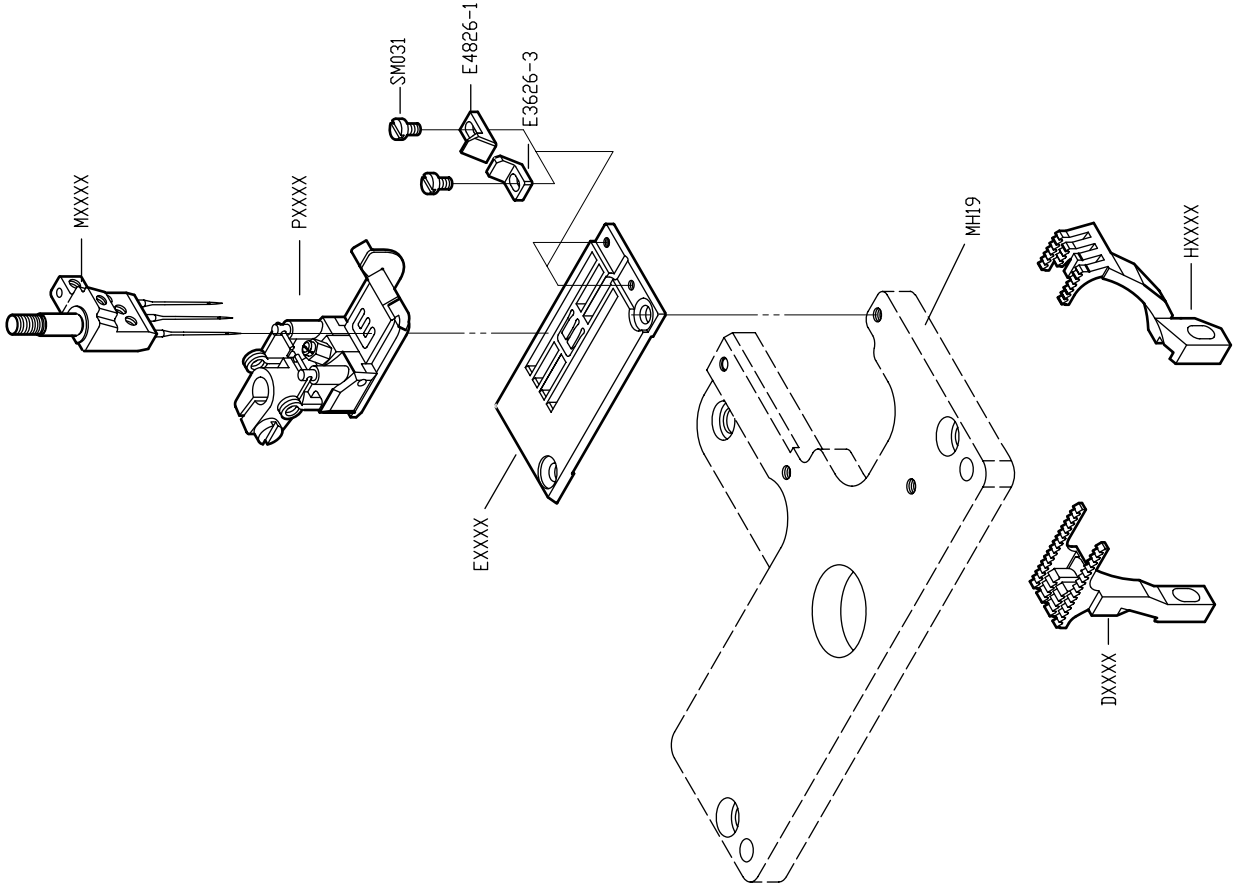


FOR F007H



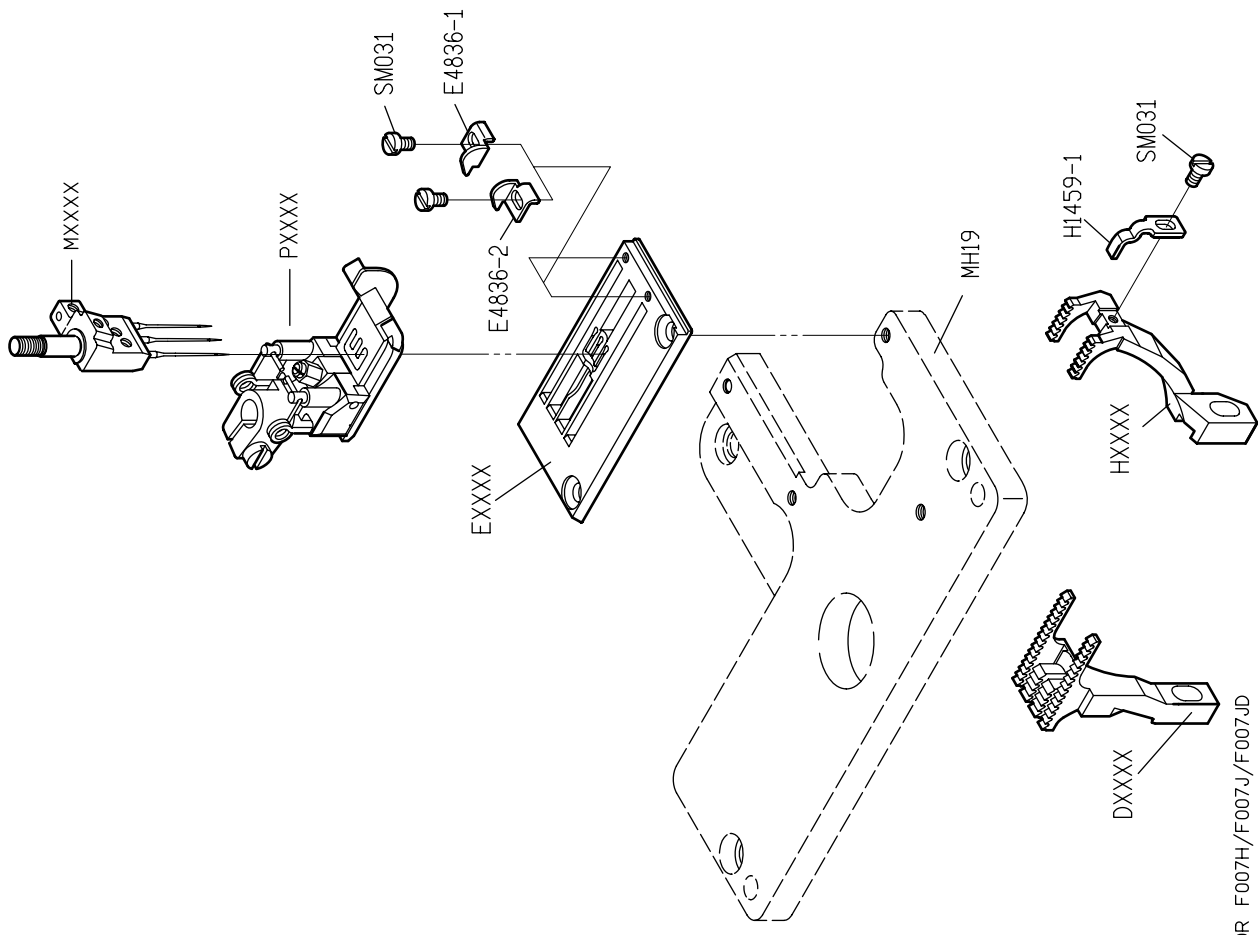
針距	成品尺寸	喇叭代號
5.6	9 (mm)	FBP01A
5.6	10	FBP01B
6.4	12	FBP01C

FOR F007J/F007JD



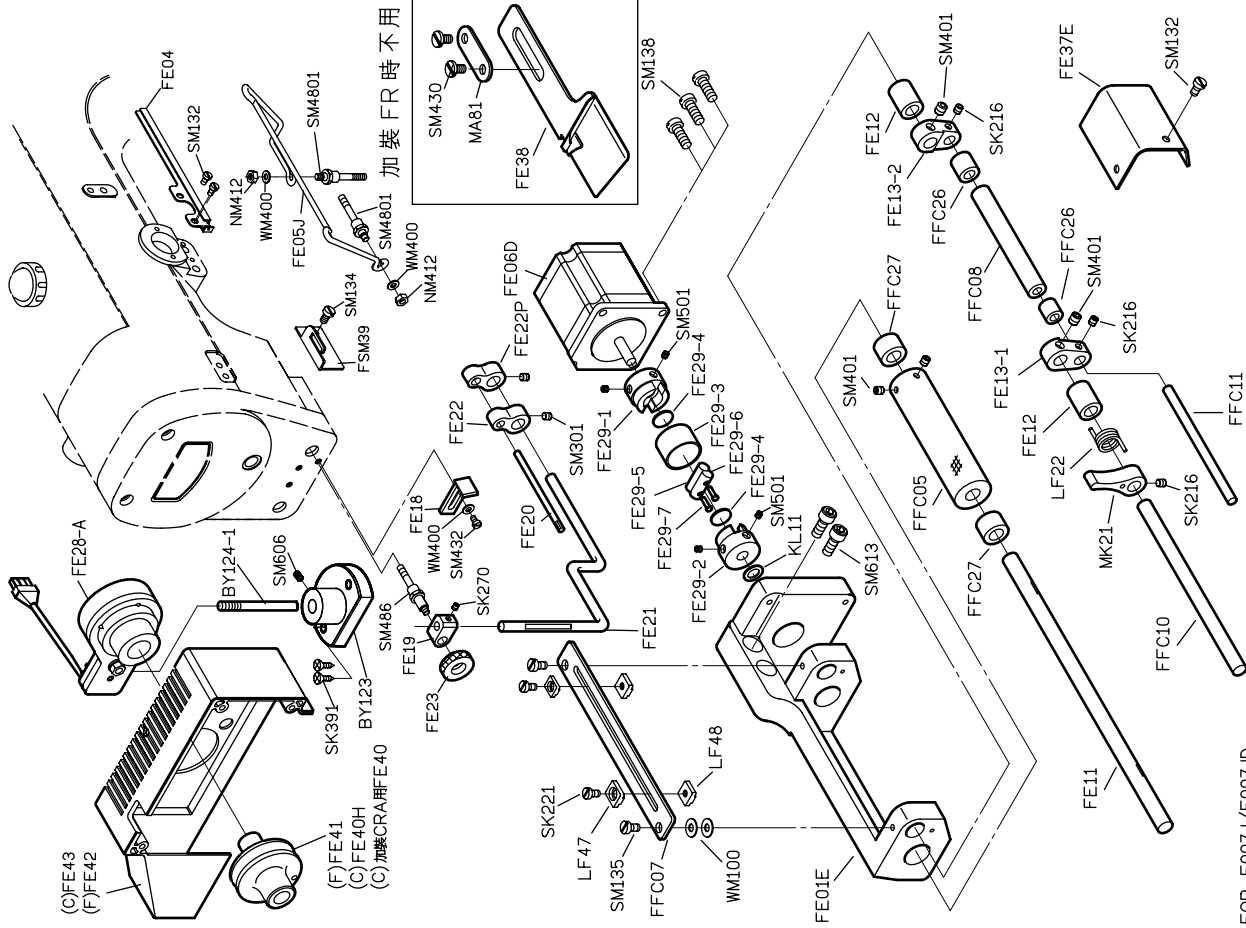
FOR F007H/F007J/F007JD

PARTS LIST FOR FDC GROUP

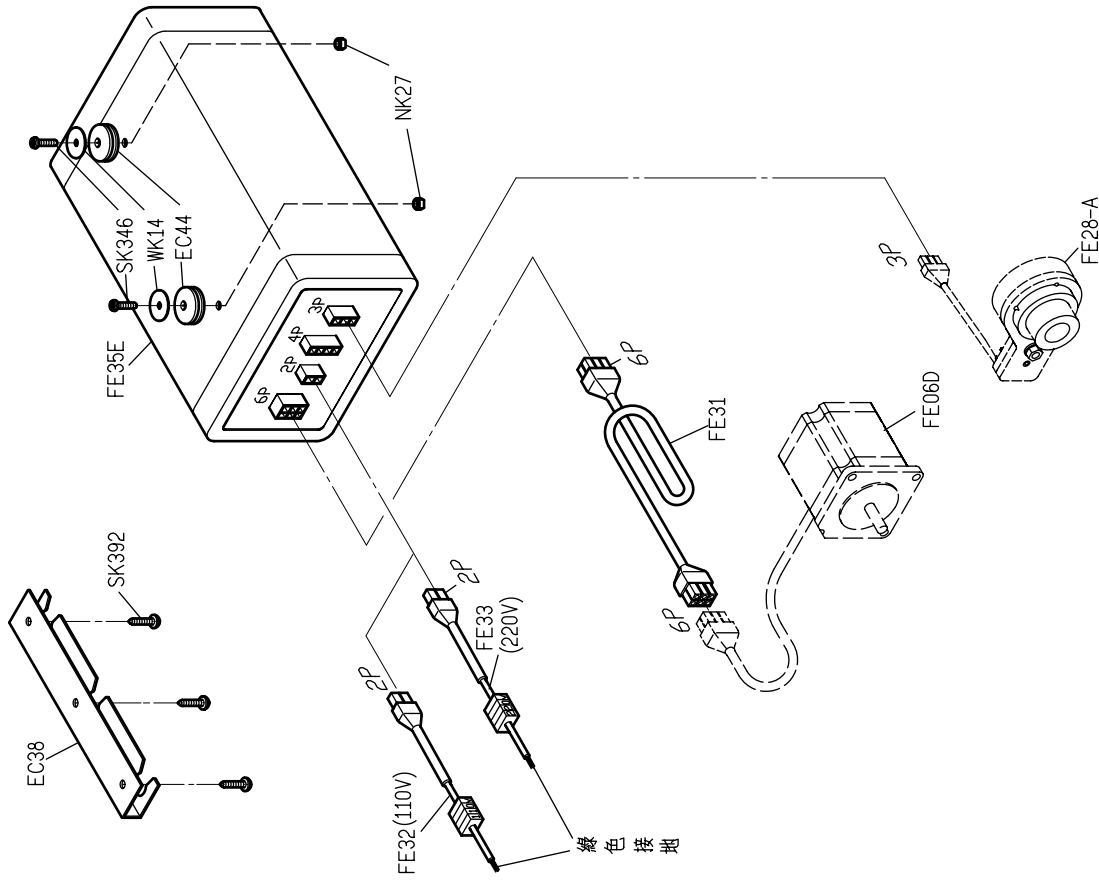


FOR F007H/F007J/F007JD

PARTS LIST FOR FDE GROUP

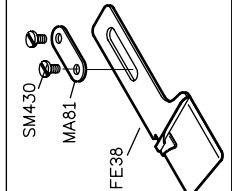


FOR F007J/F007JD



FOR F007J/F007JD

加裝FR時不用



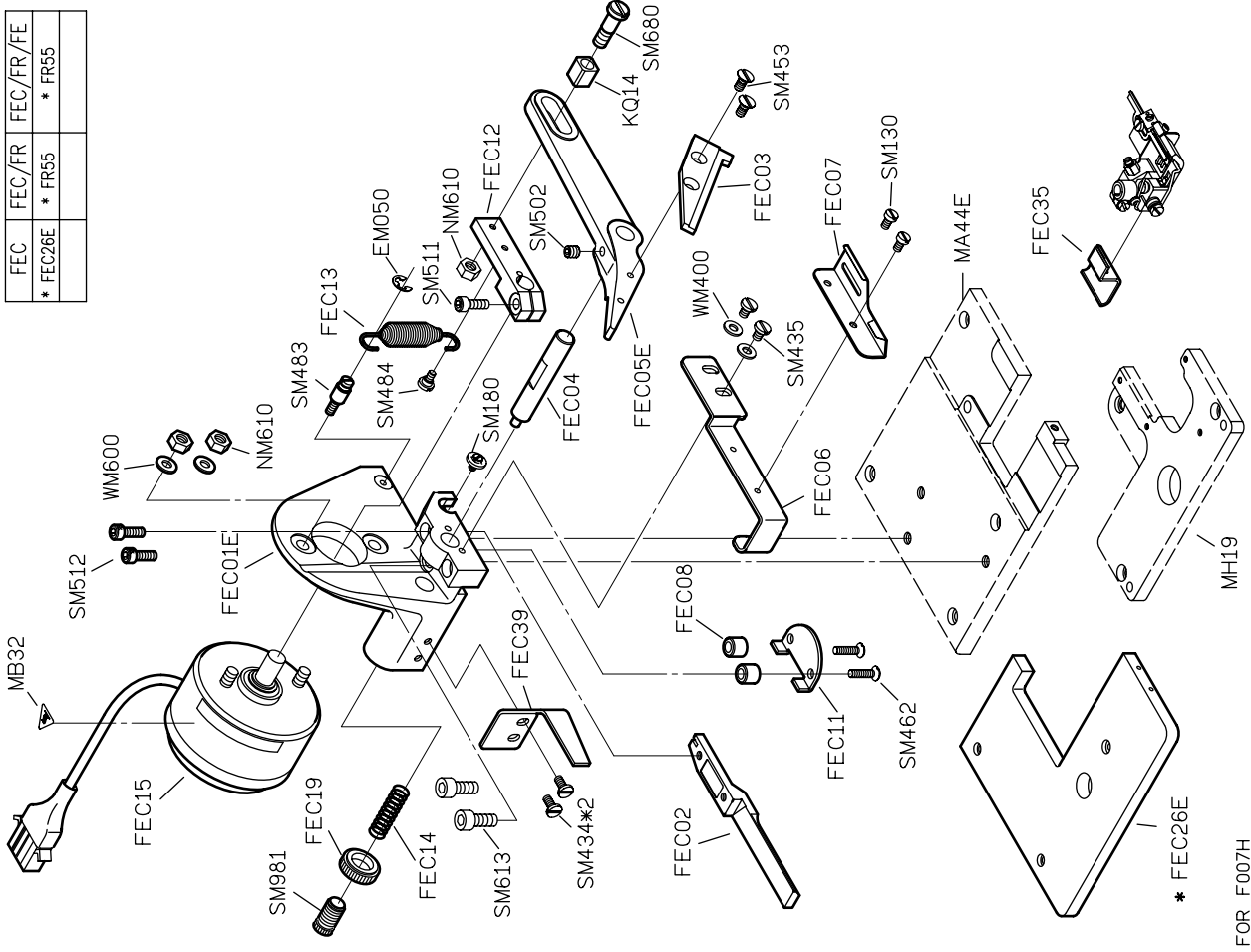
(C)FE43
(F)FE42

(F)FE41

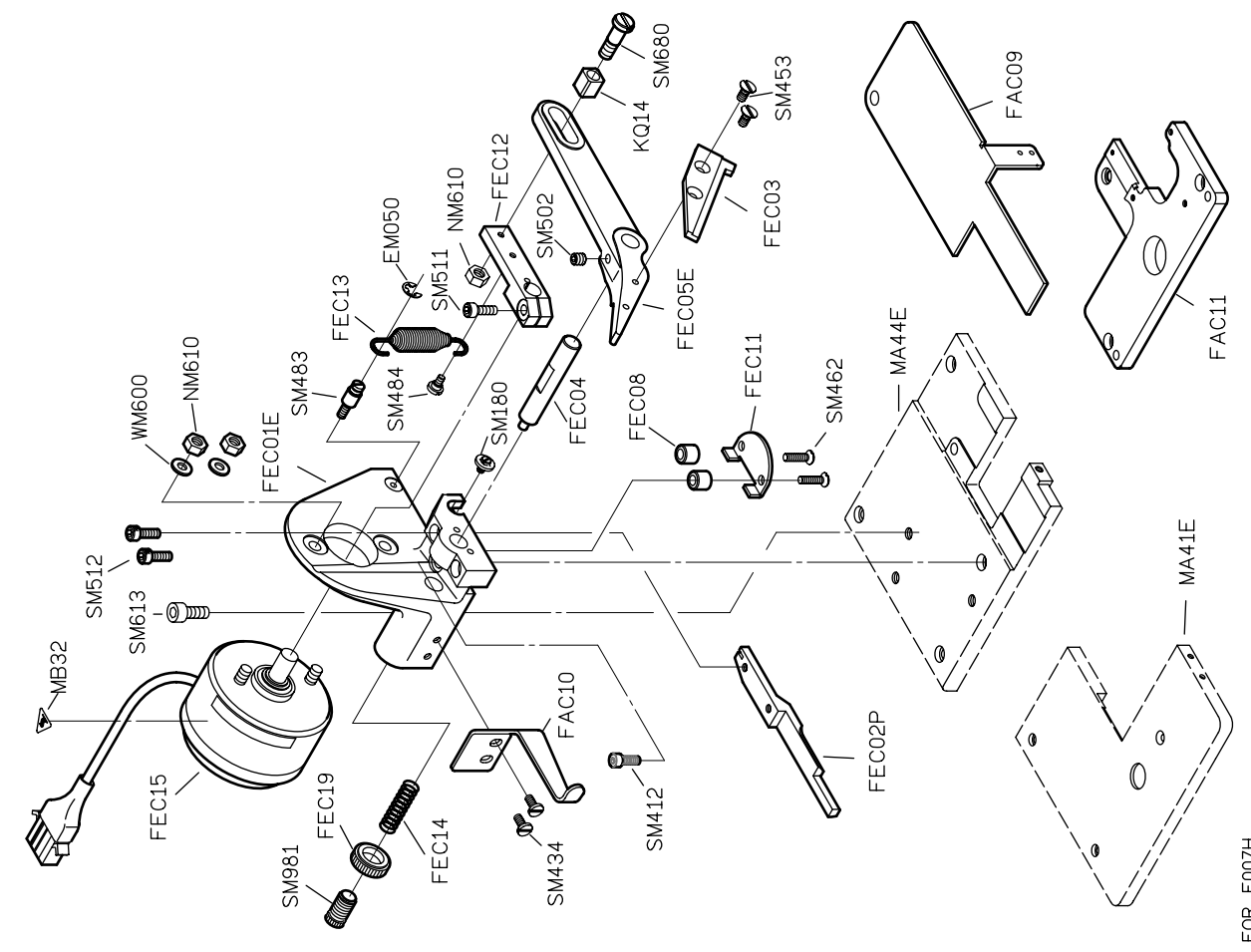
(C)FE40H

(C)加裝CRAHFE40

FEC	FEC/FR	FEC/FR/FE
* FEC26E	* FR55	* FR55



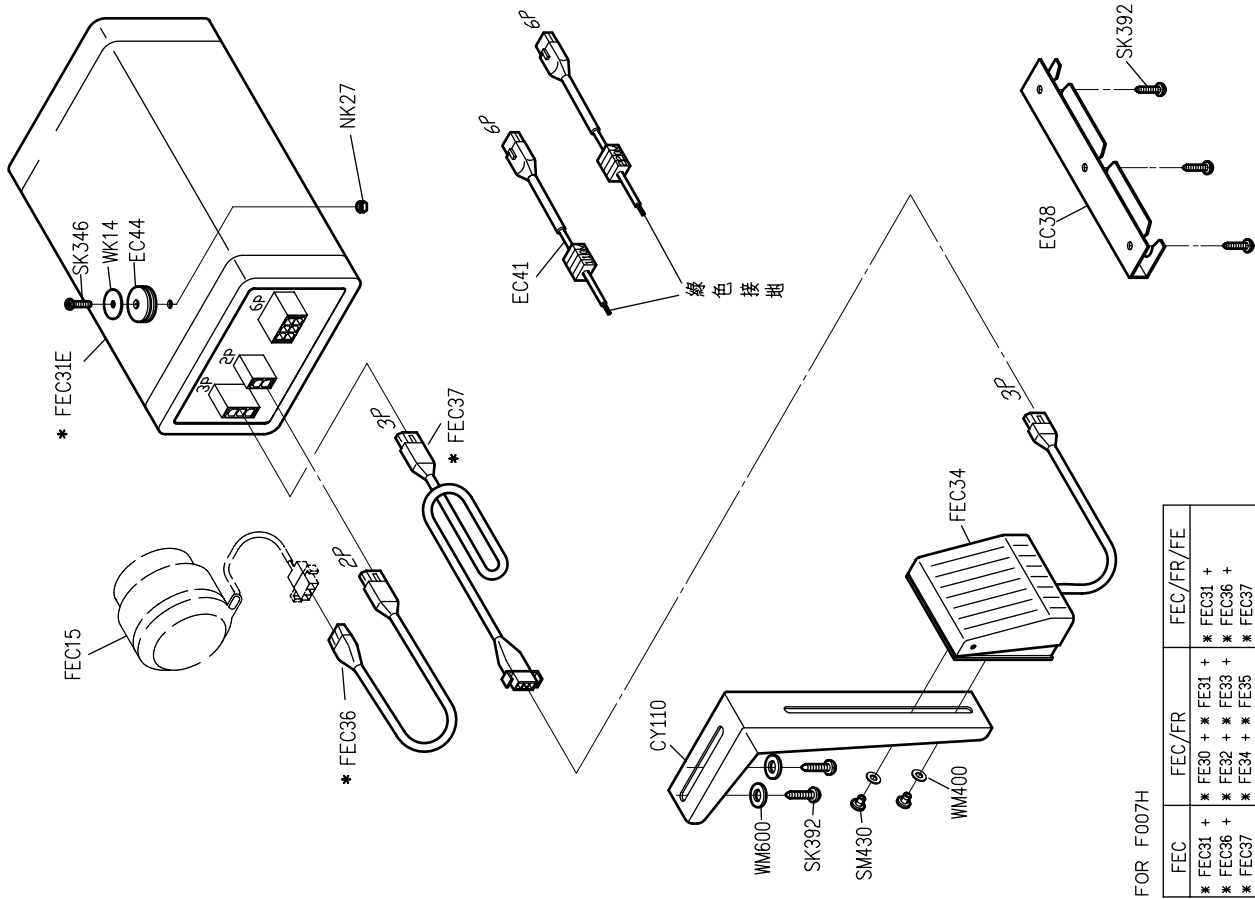
FOR F007H



FOR F007H

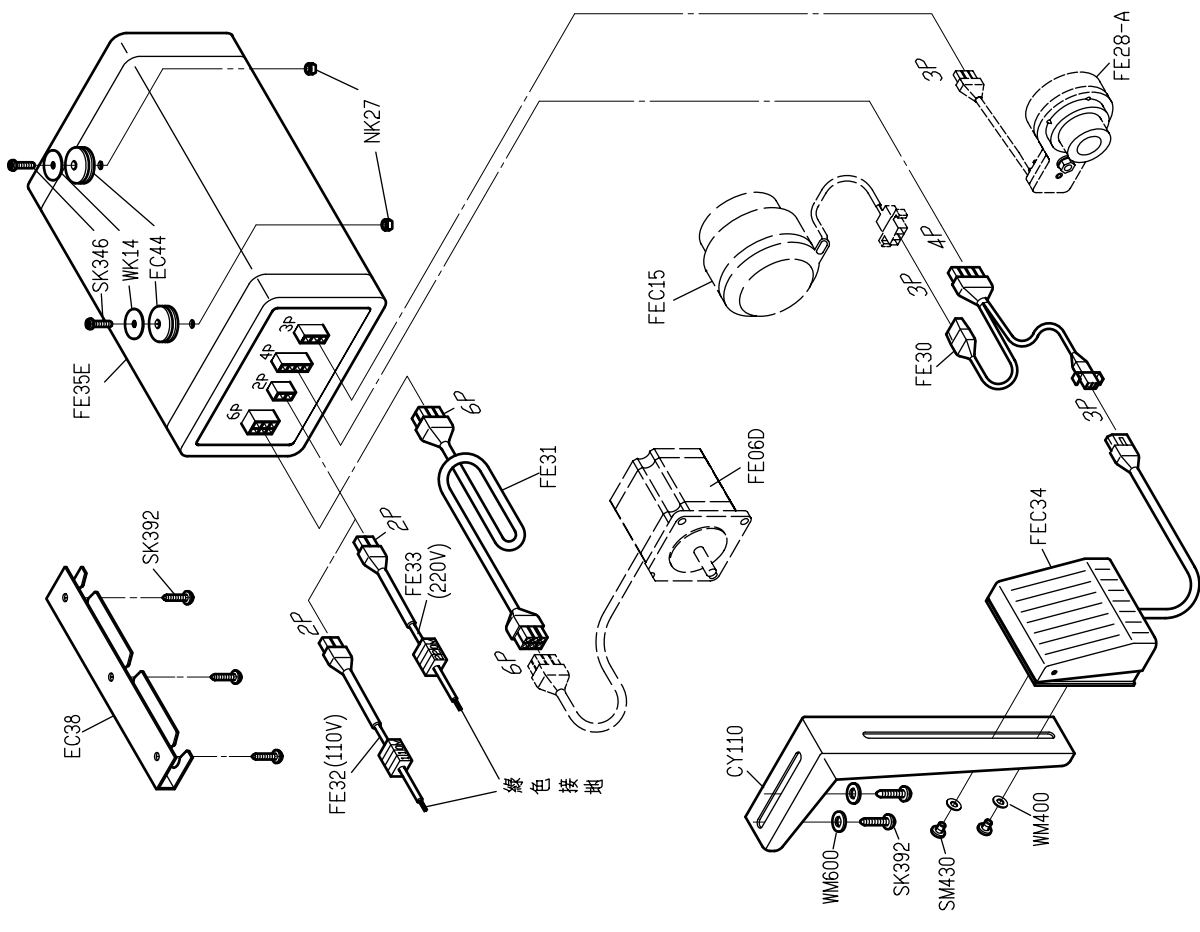
PARTS LIST FOR FEC GROUP

PARTS LIST FOR FEC GROUP



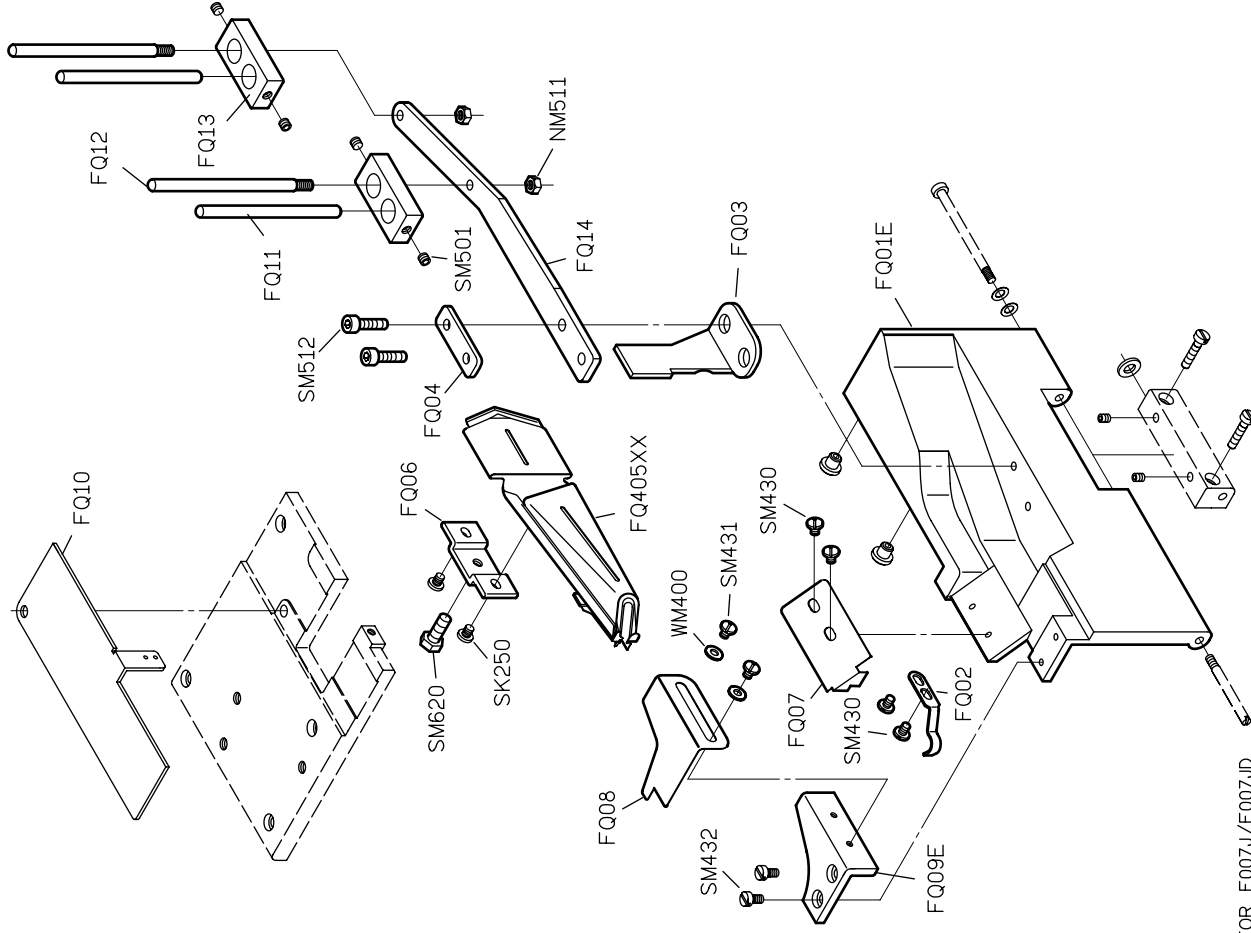
FOR F007H

FEC	FEC/FR	FEC/FR/FE
* FEC31 +	* FE30 + * FE31 +	* FEC31 +
* FEC36 +	* FE32 + * FE33 +	* FEC36 +
* FEC37	* FE34 + * FE35	* FEC37



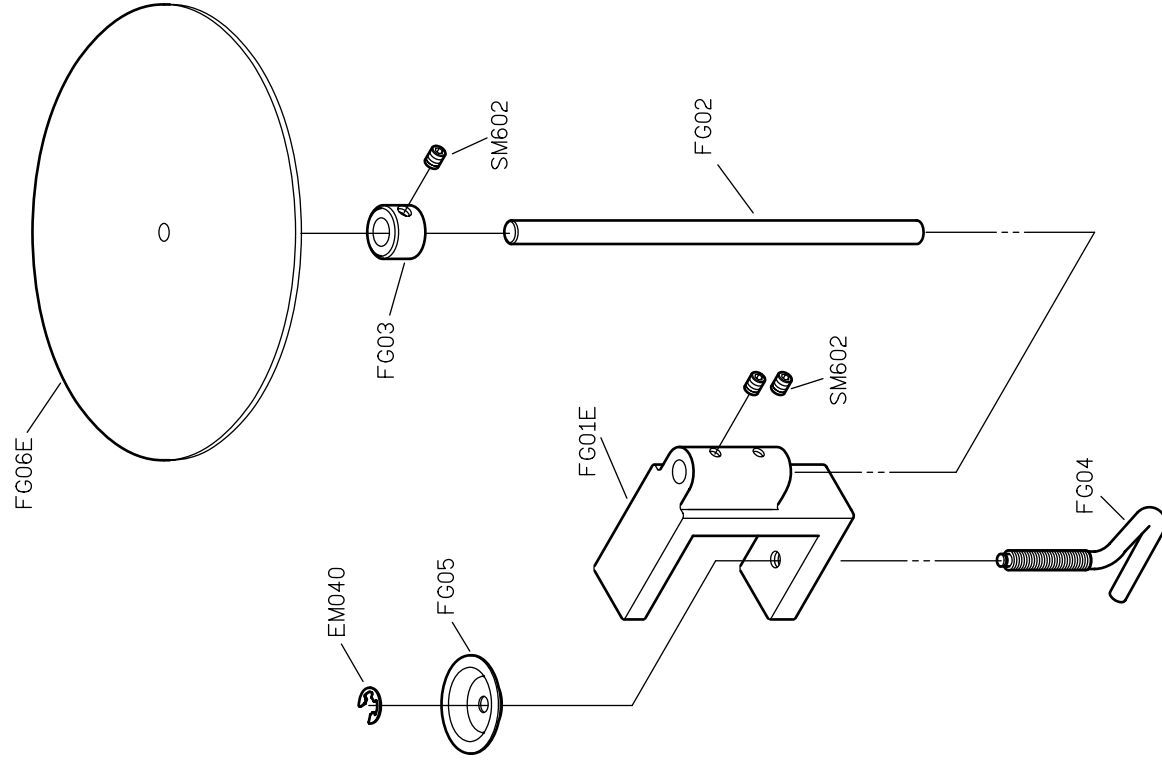
FOR F007J/F007JD

PARTS LIST FOR FFP GROUP



FOR F007J/F007JD

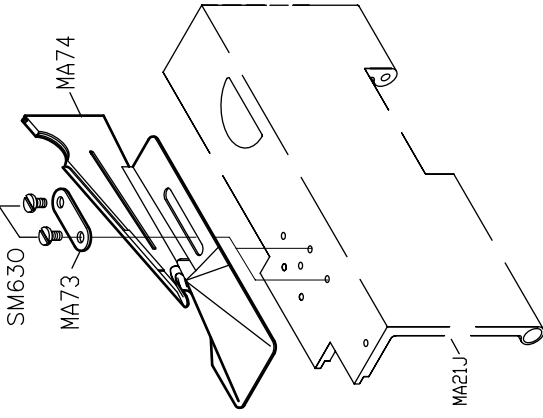
PARTS LIST FOR FG GROUP



FOR F007H 註：FQ, CQ, FFD 等必需附加此套（如定購FA時，則此套可免加入）

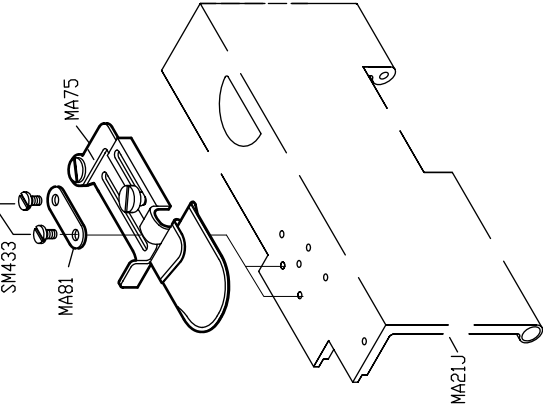
FHB

FOR COLLARETT
WITH F007-W122 SYSTEM



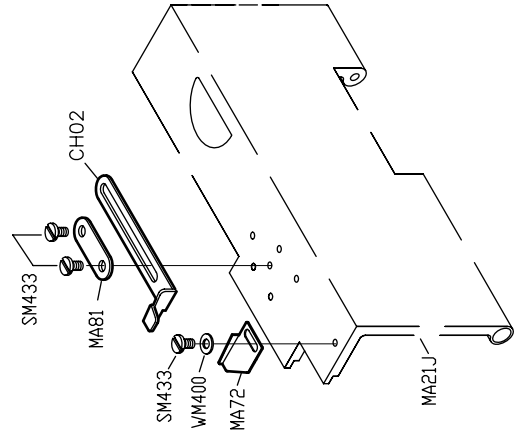
FHC

FOR HEMMING BOTTOMS
WITH F007-W122 SYSTEM

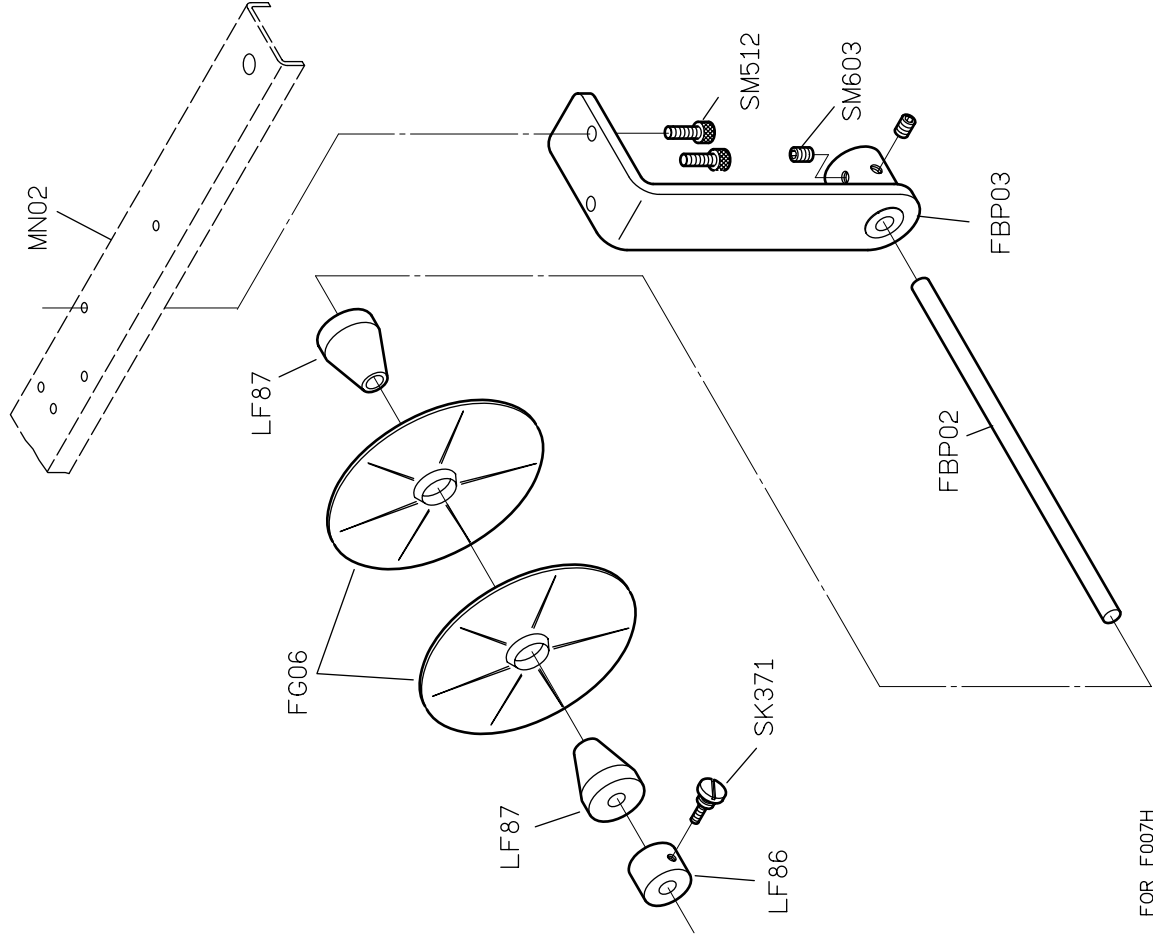


FHA

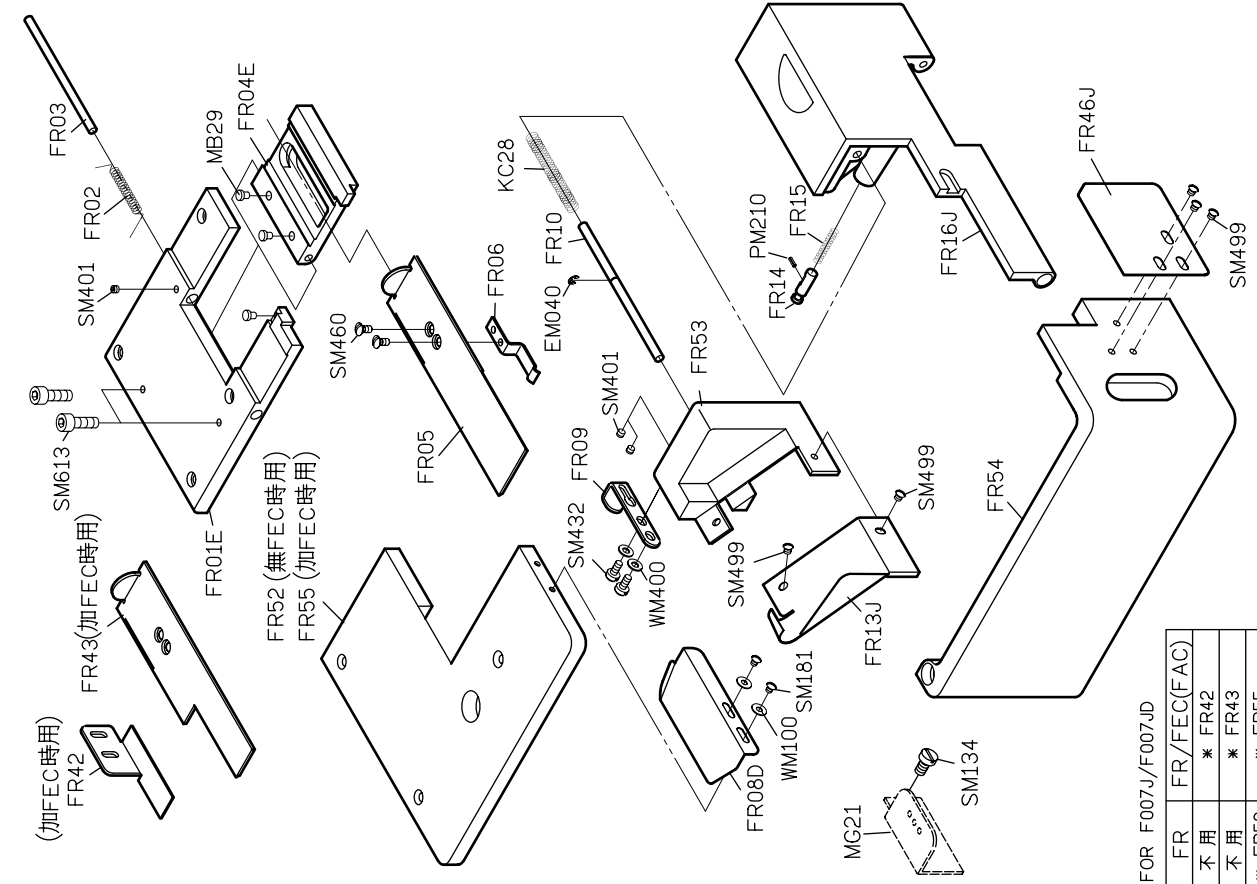
FOR HEMMING BOTTOMS
WITH F007-W122 SYSTEM



FOR F007J/F007JD



FOR F007H



(加FEC時用)
FR42

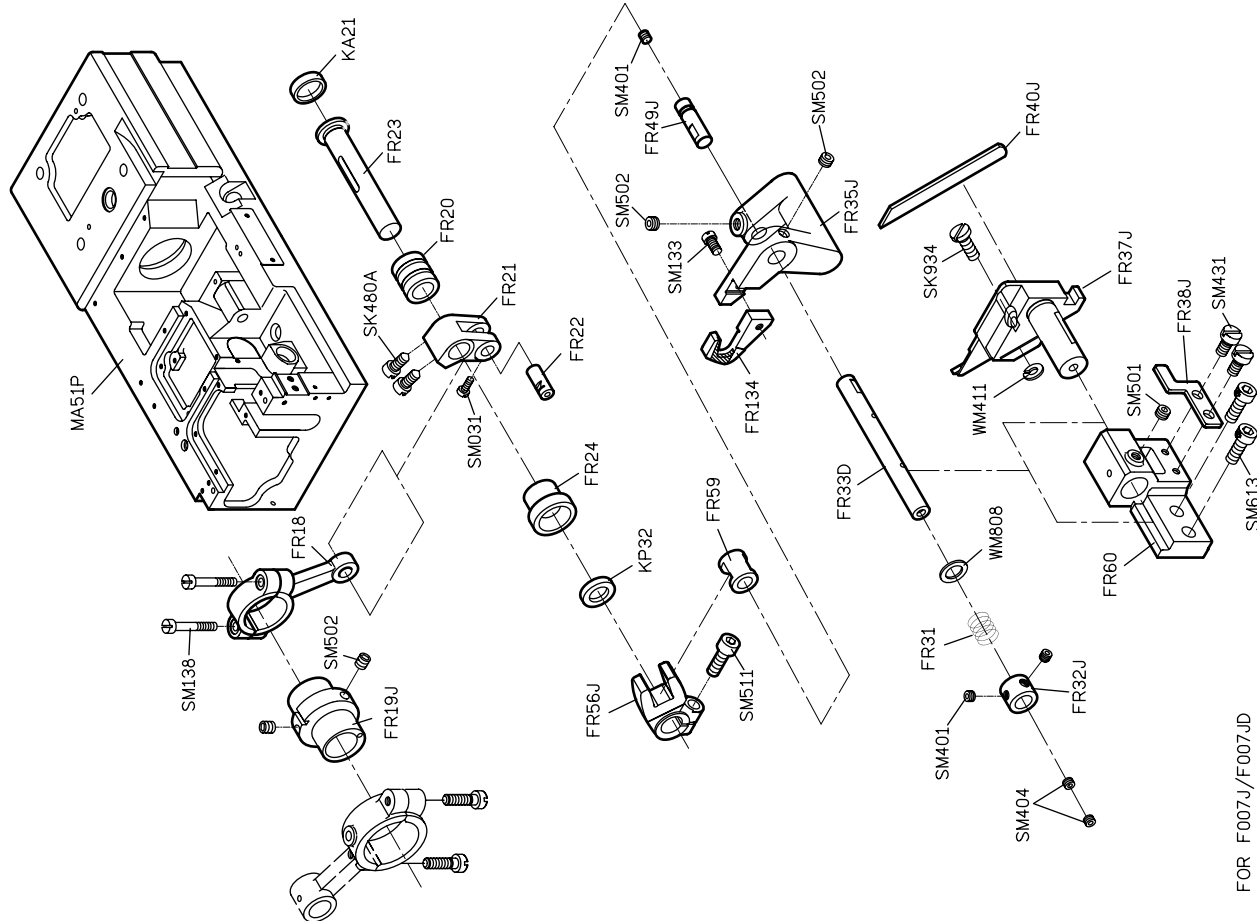
FR43(加FEC時用)

FR52 (無FEC時用)
FR55 (加FEC時用)

FOR F007J/F007JD

FR	FR/FEC(FAC)
不用	* FR42
不用	* FR43
* FR52	* FR55

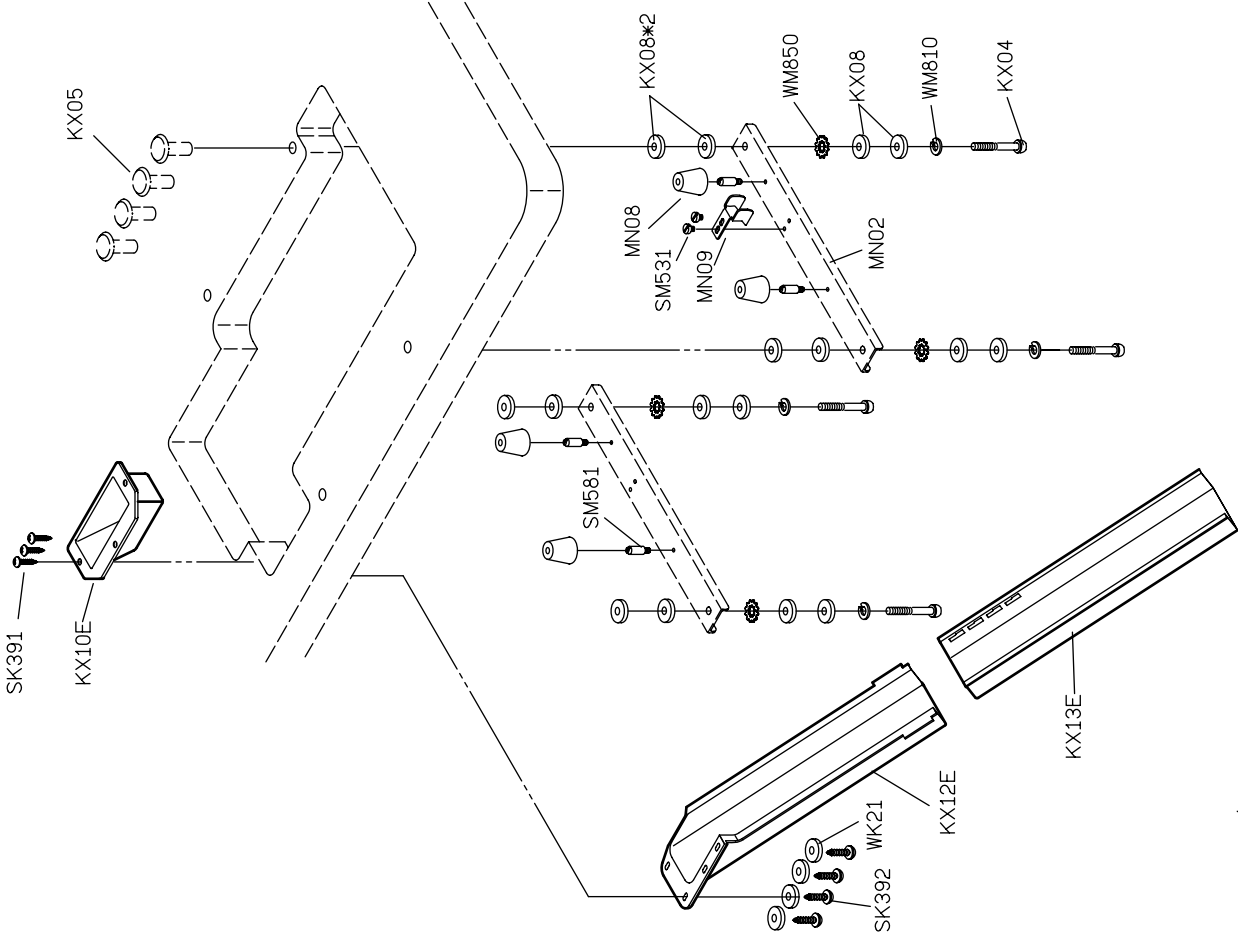
PARTS LIST FOR FR GROUP



FOR F007J/F007JD

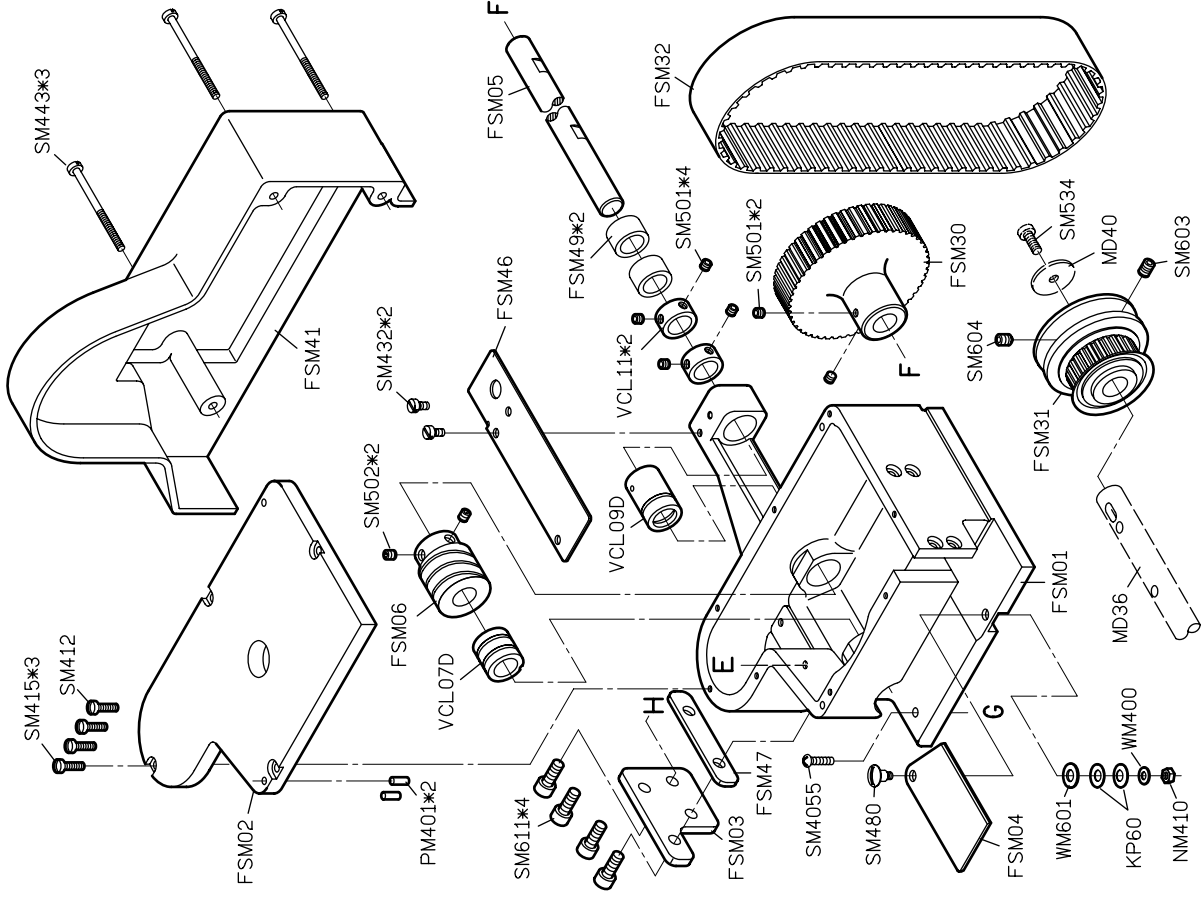
PARTS LIST FOR FR GROUP

PARTS LIST FOR FR GROUP

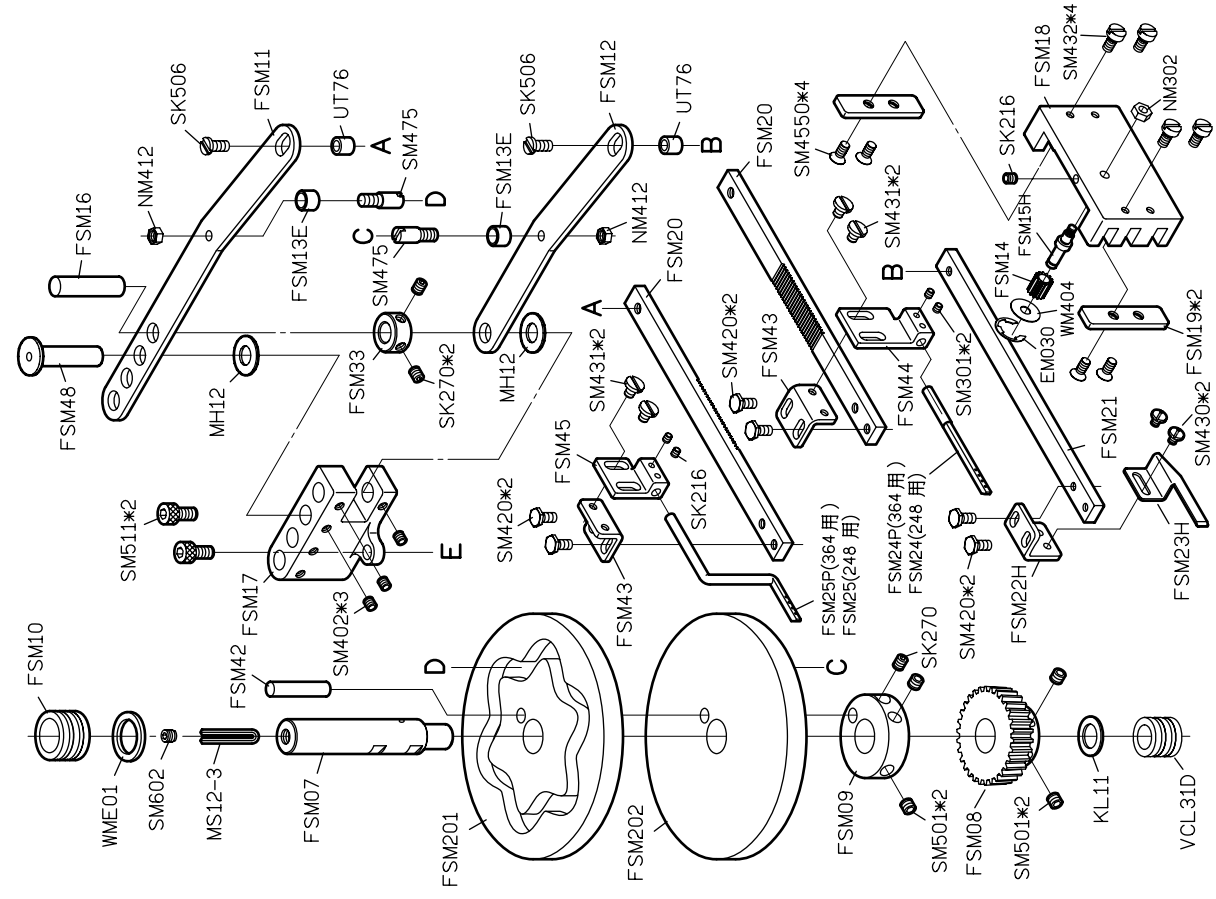


FOR F007J/F007JD

PARTS LIST FOR LD GROUP



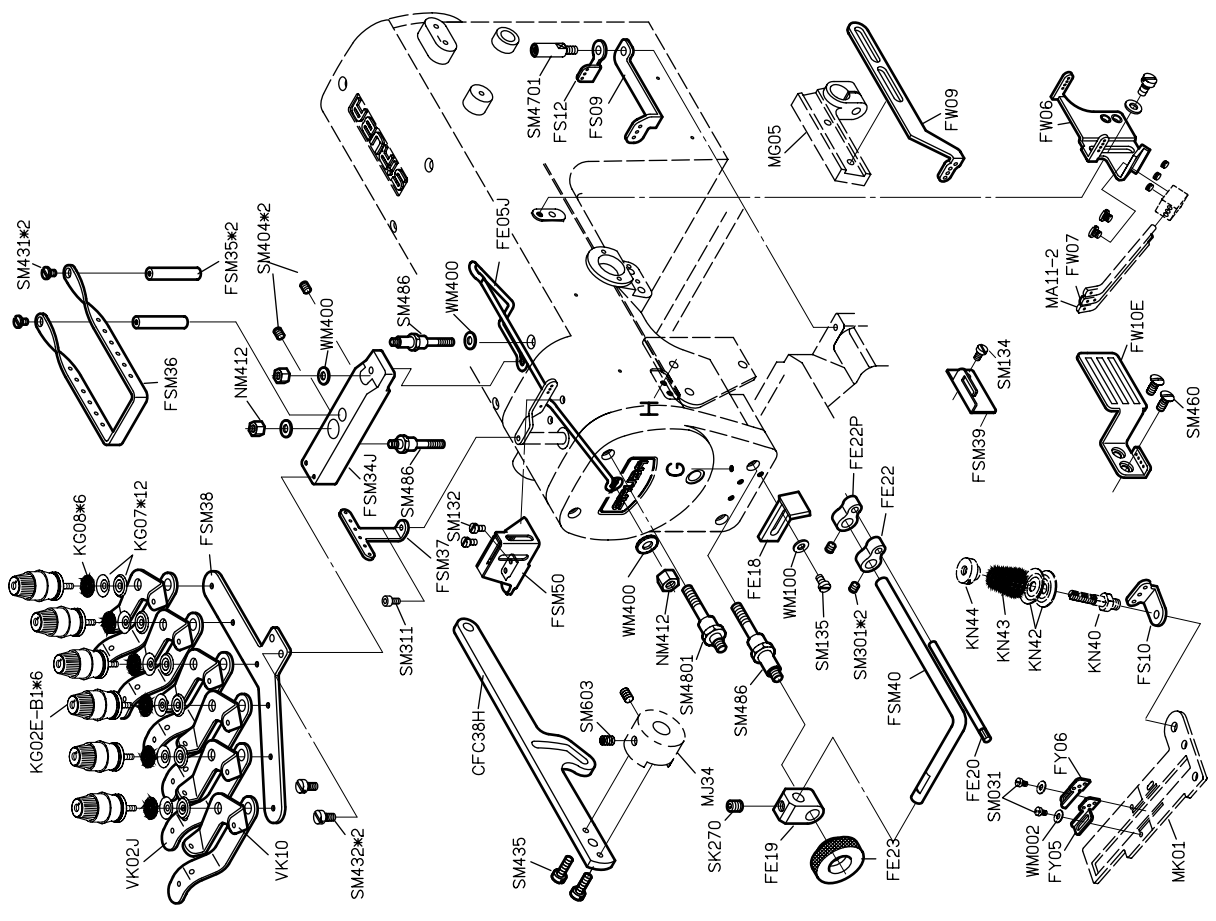
FOR F007J/F007JD



FOR F007J/F007JD

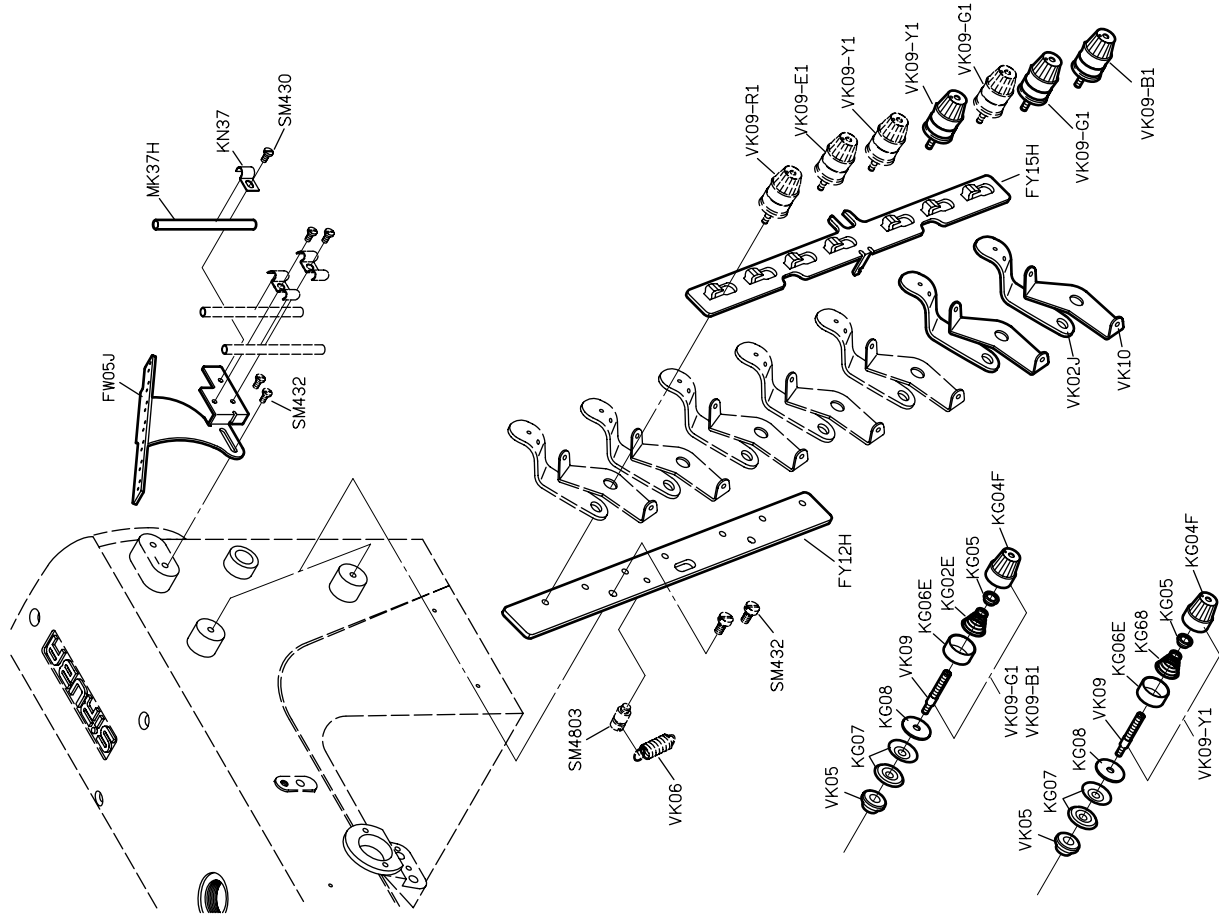
註：凸輪 FSM220/222 為備品

PARTS LIST FOR FSM GROUP

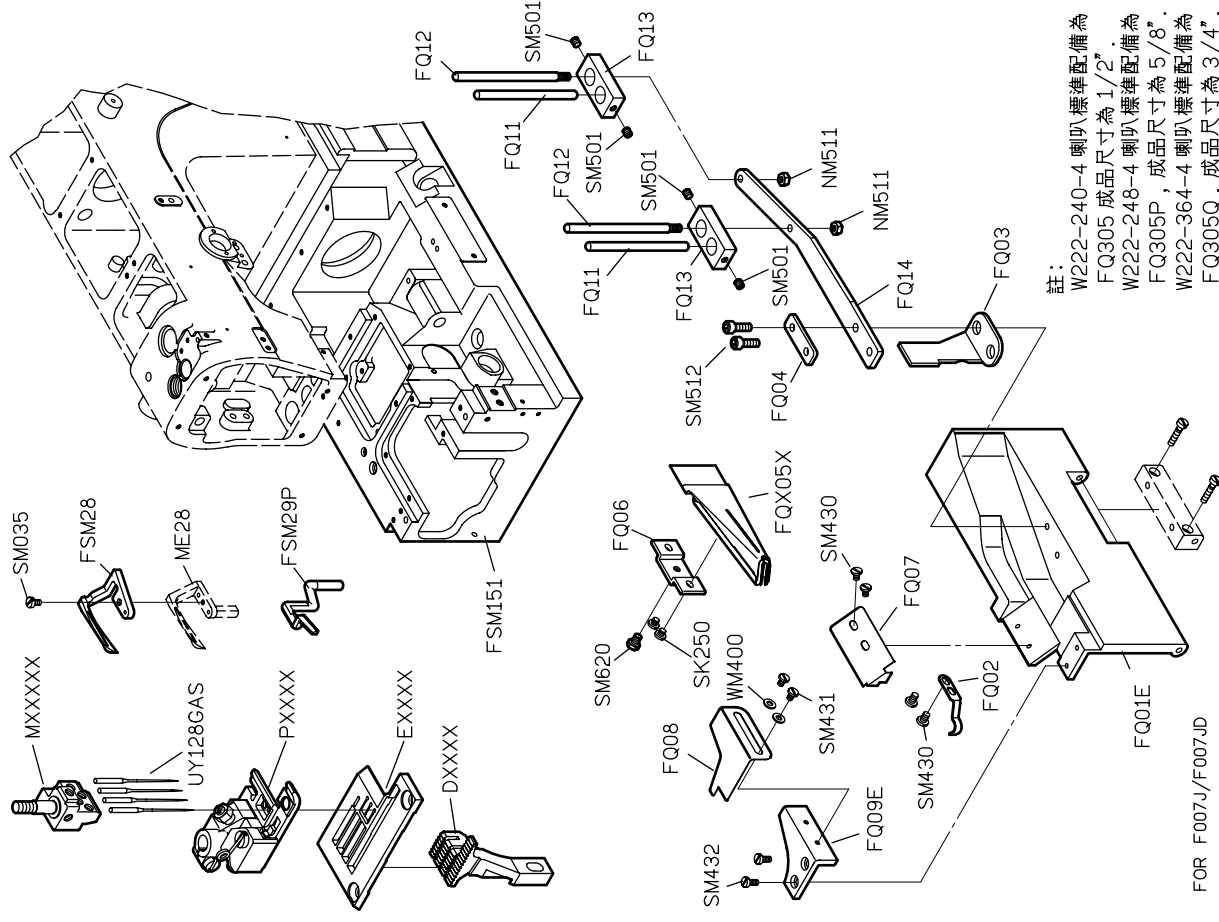


FOR F007J/F007JD

PARTS LIST FOR FSM GROUP



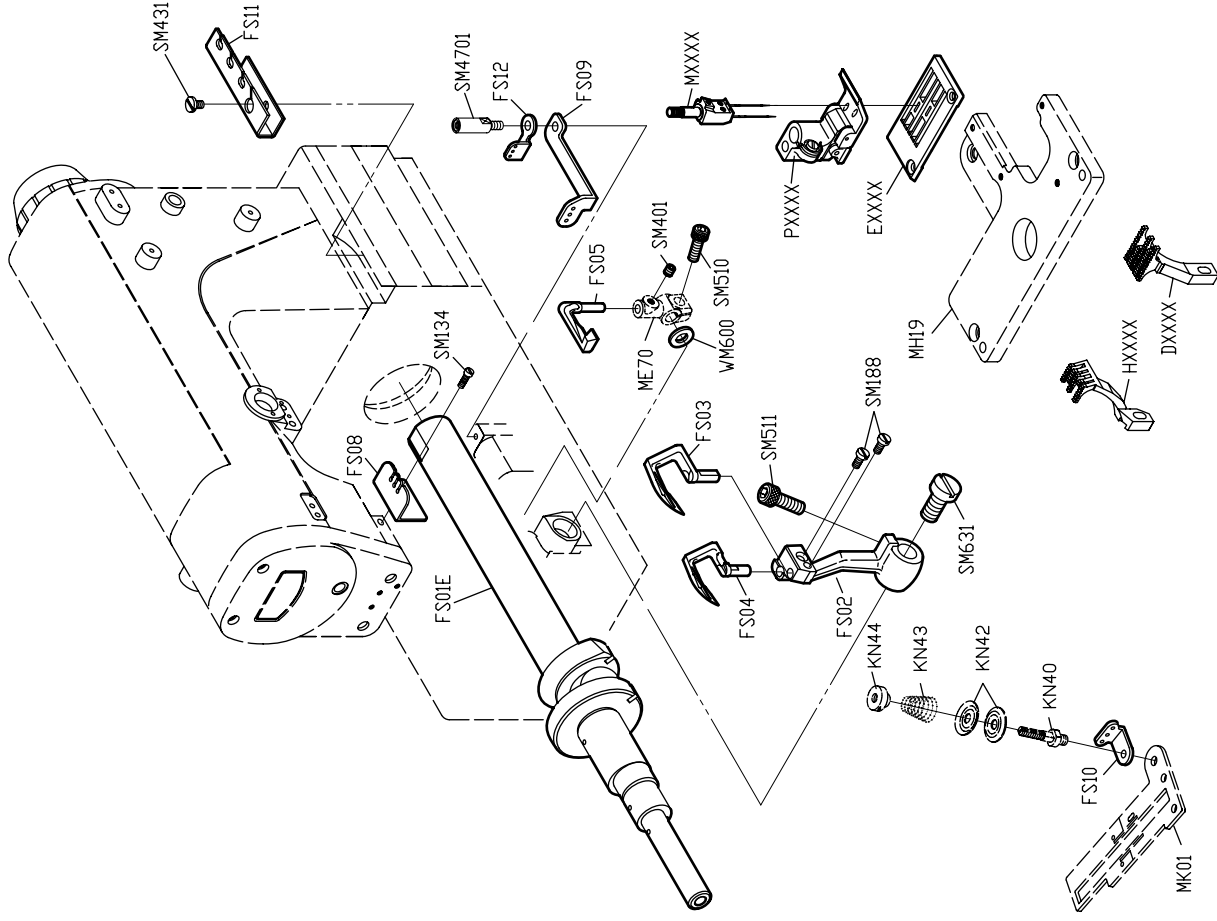
FOR F007J/F007JD



FOR F007J/F007JD

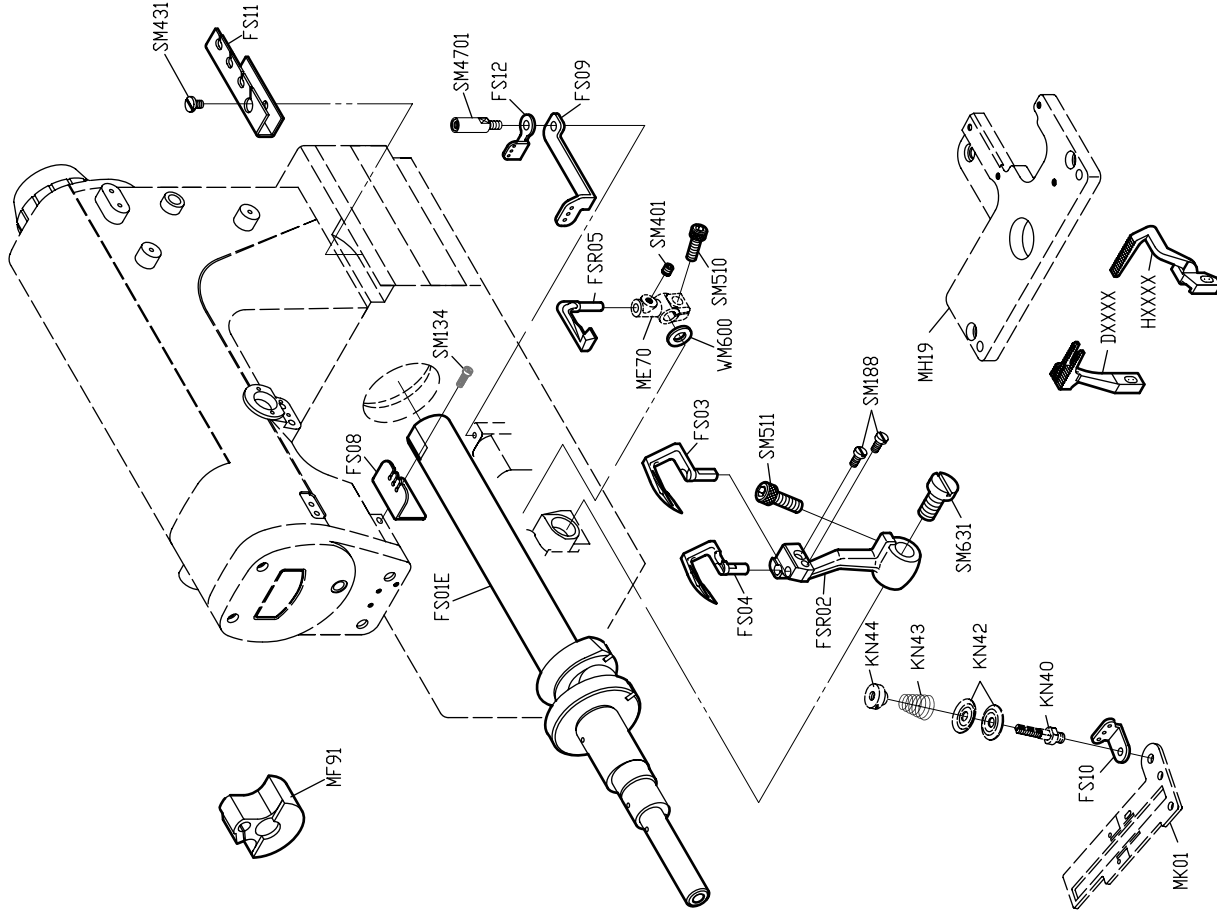
註：
 W222-240-4 喇叭標準配備為
 FQ305 成品尺寸為 1/2"。
 W222-248-4 喇叭標準配備為
 FQ305P，成品尺寸為 5/8"。
 W222-364-4 喇叭標準配備為
 FQ305Q，成品尺寸為 3/4"。

PARTS LIST FOR FSQ GROUP

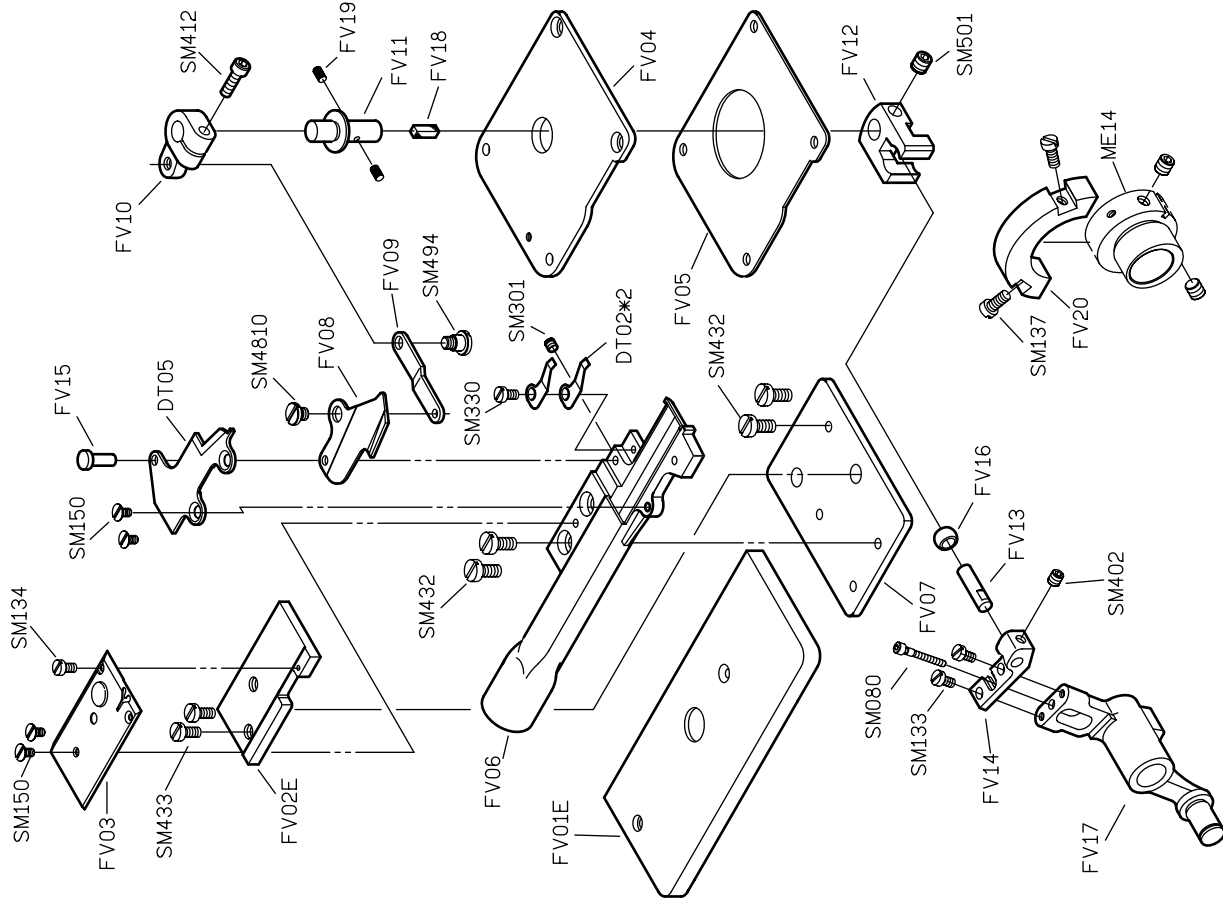


FOR F007J/F007JD

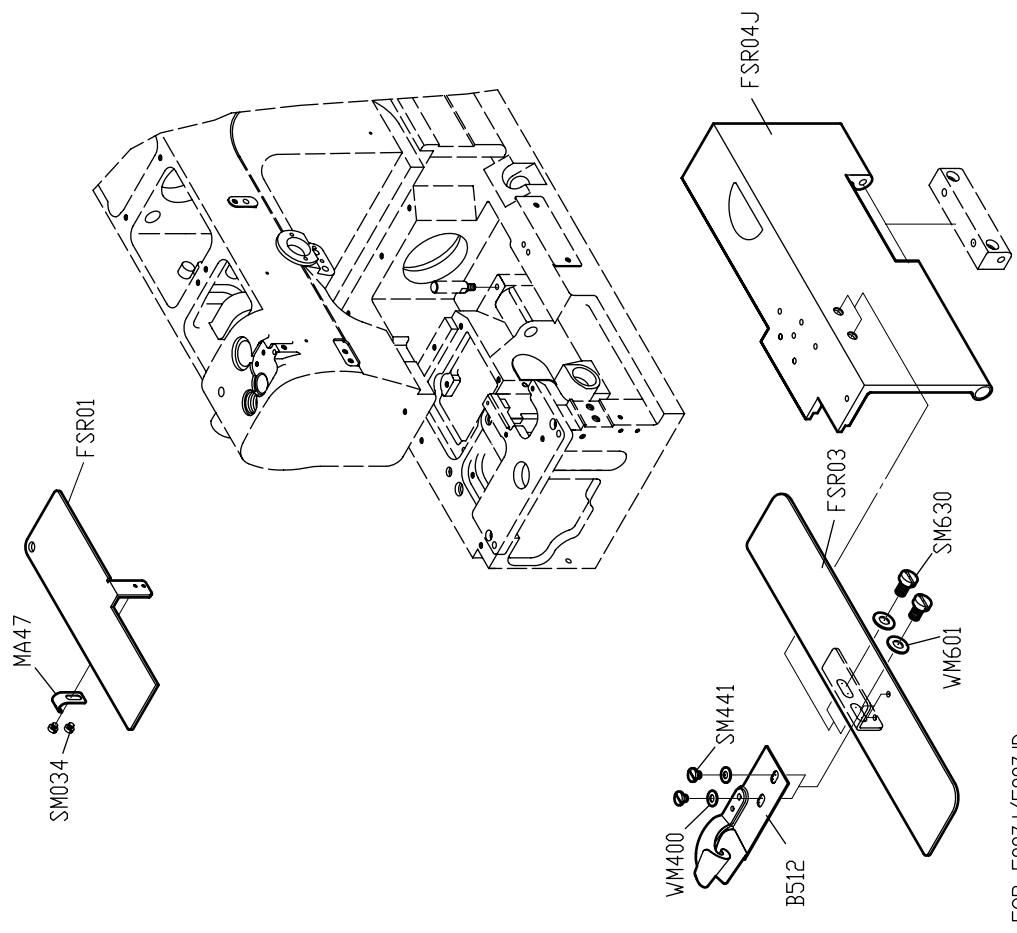
PARTS LIST FOR FSR GROUP



FOR F007J/F007JD



FOR F007H

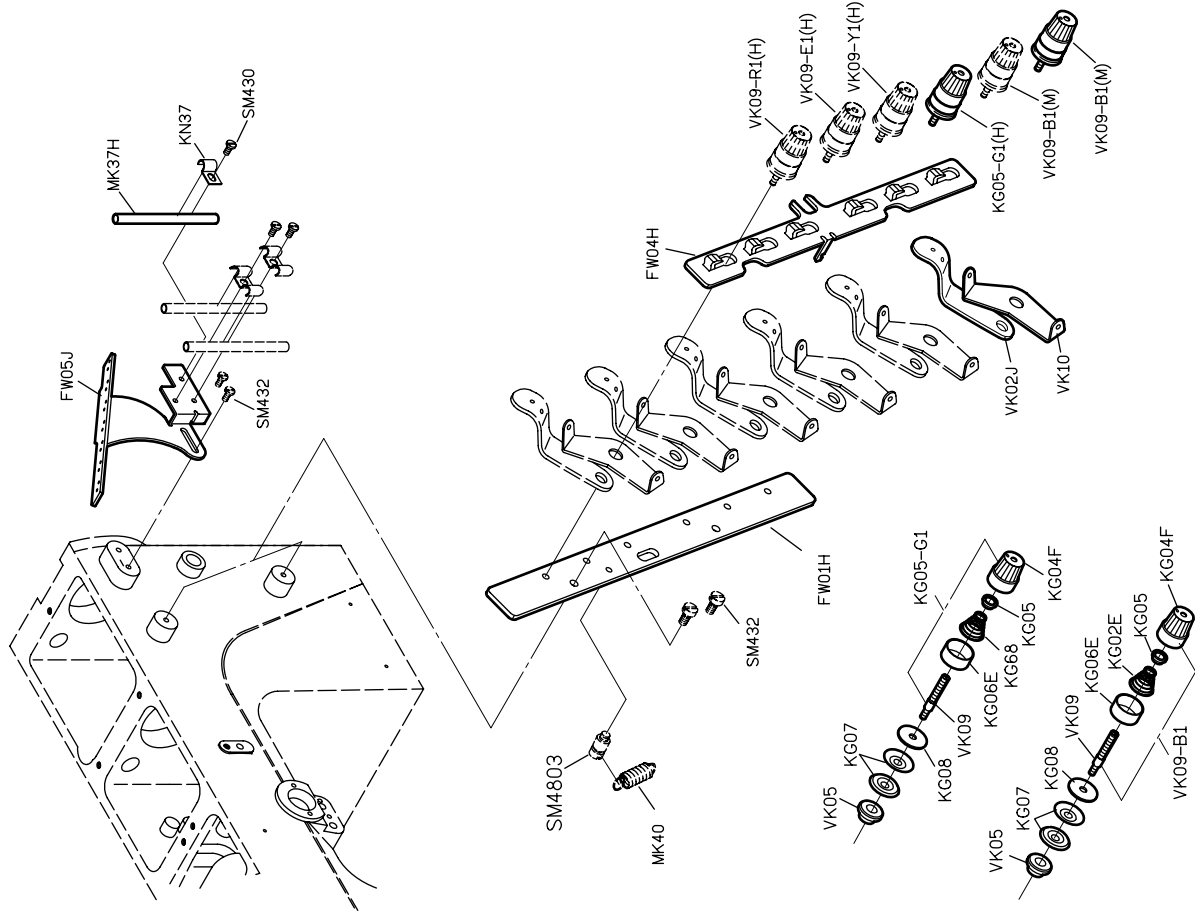


FOR F007J/F007JD

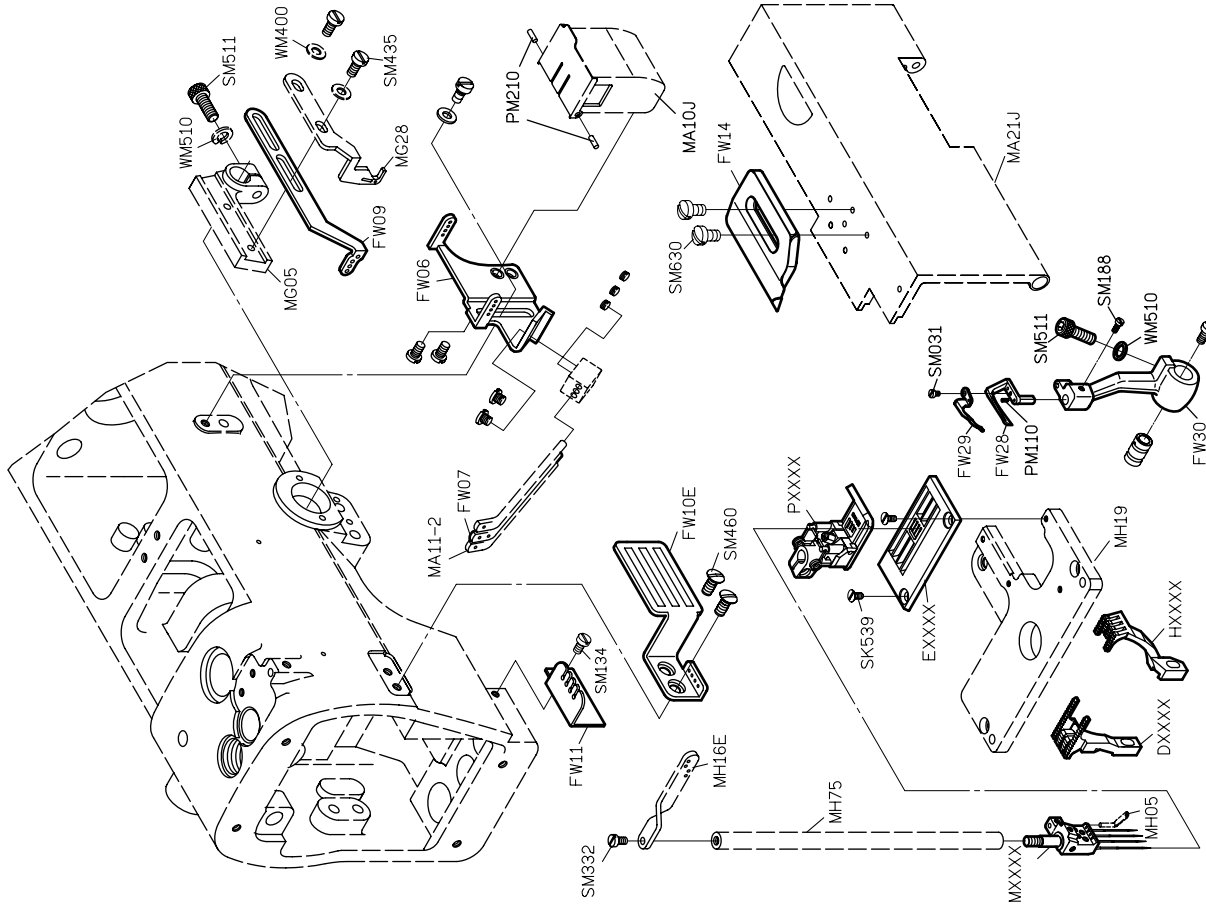
PARTS LIST FOR FSR GROUP

PARTS LIST FOR FV GROUP

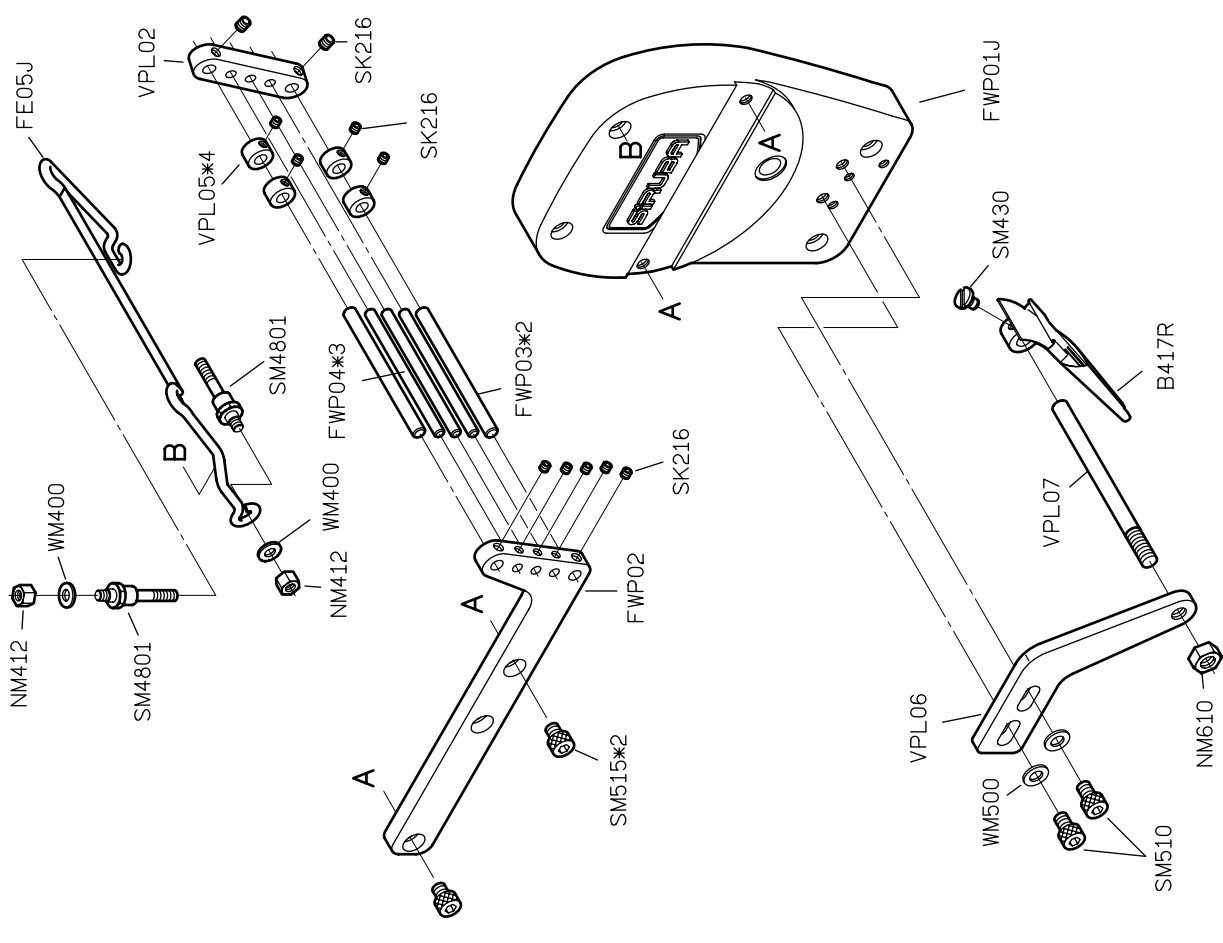
PARTS LIST FOR FW GROUP



PARTS LIST FOR FWP GROUP

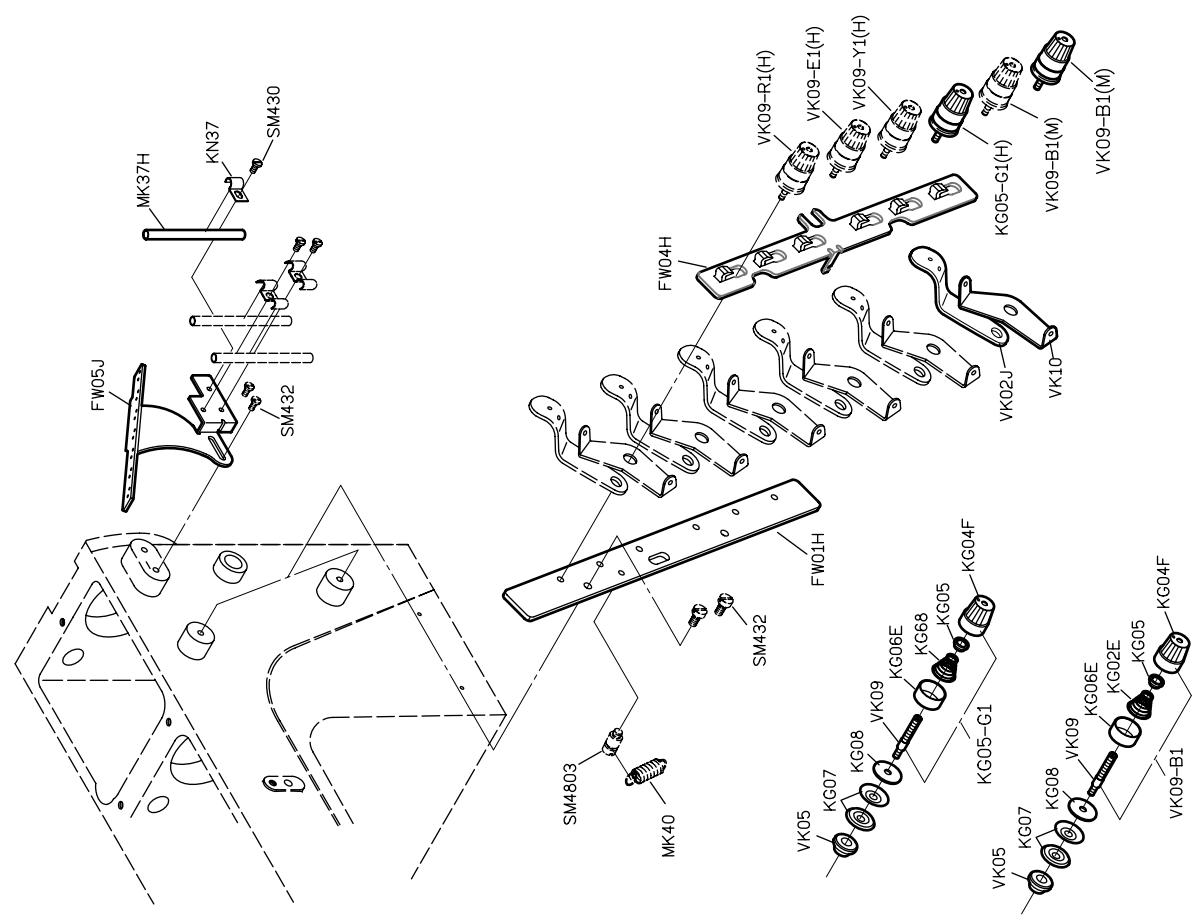


FOR F007J/F007JD



FOR F007J/F007JD

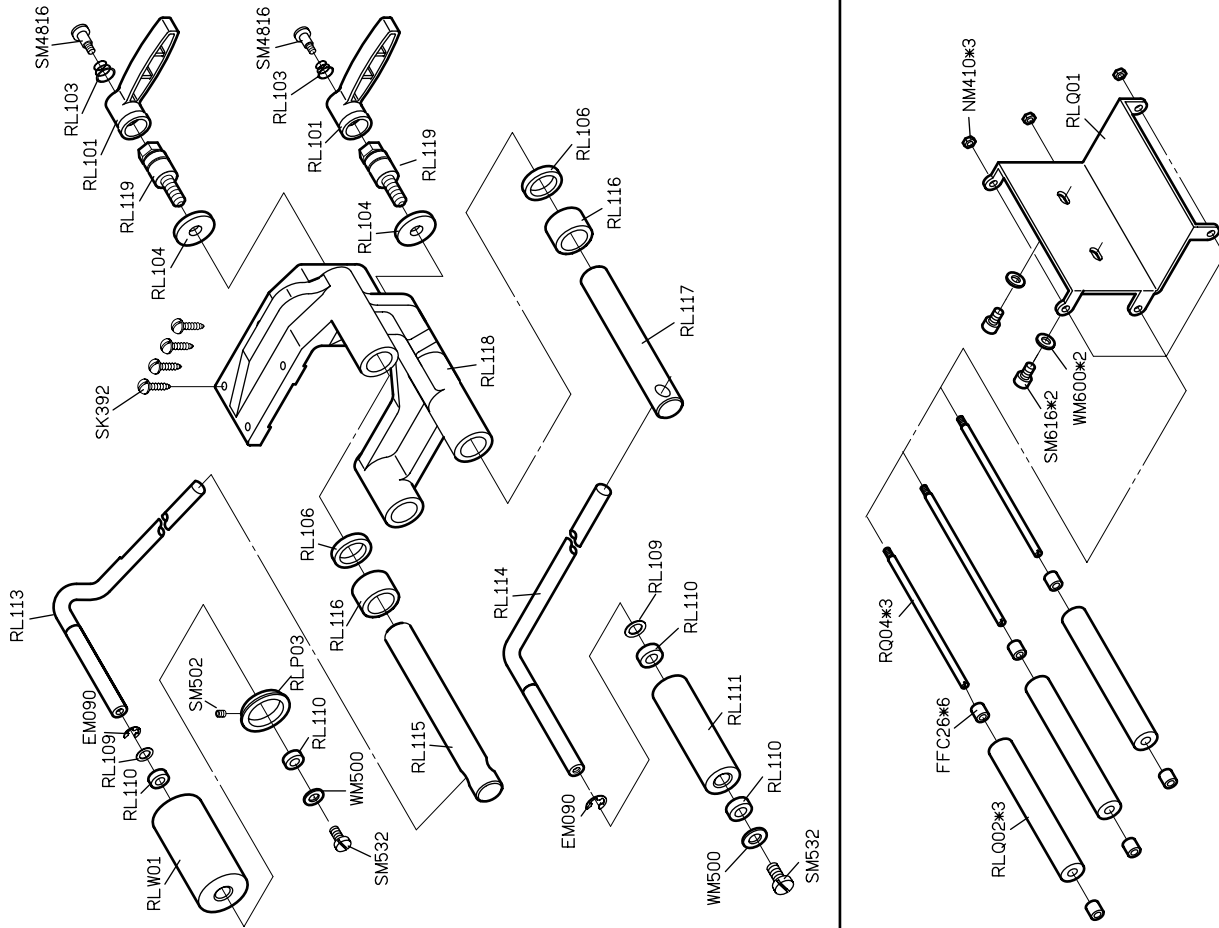
PARTS LIST FOR FWP GROUP



FOR F007J/F007JD

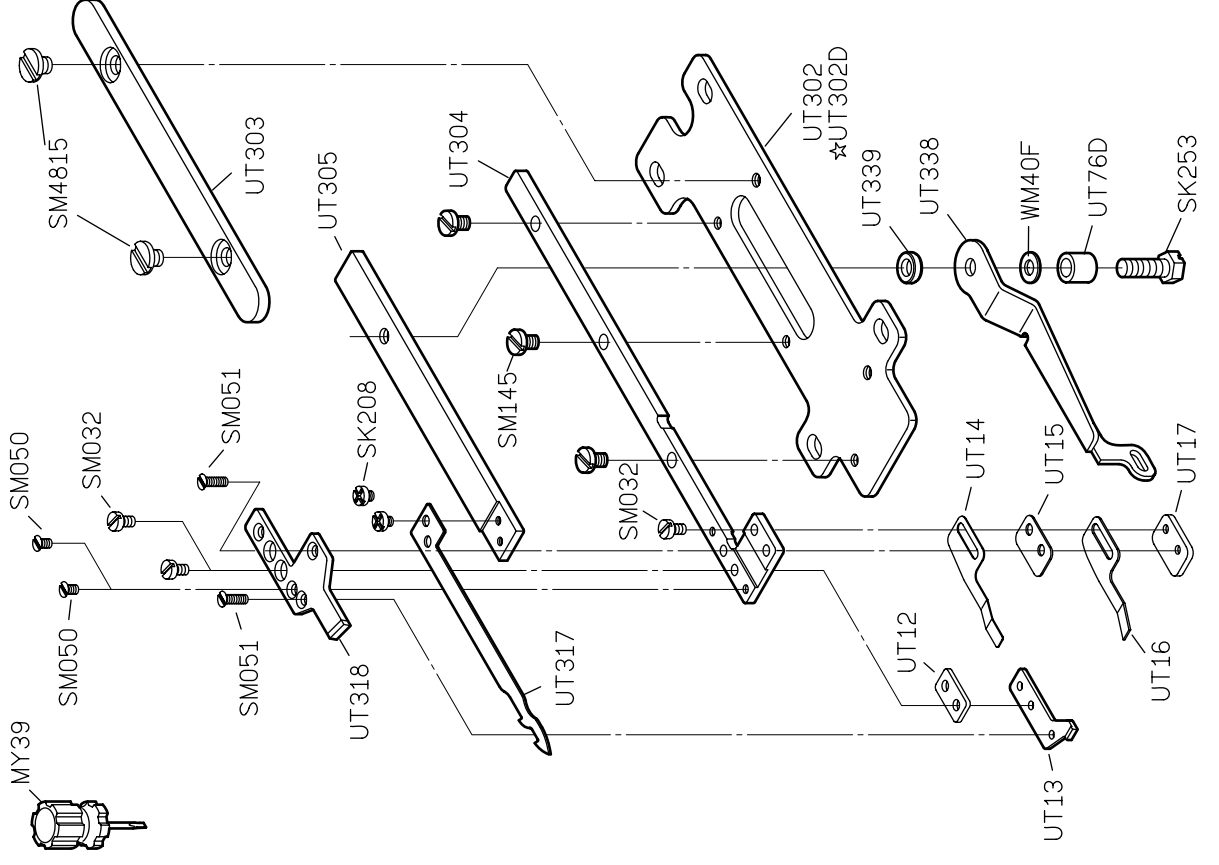
PARTS LIST FOR FWP GROUP

PARTS LIST FOR RLX GROUP

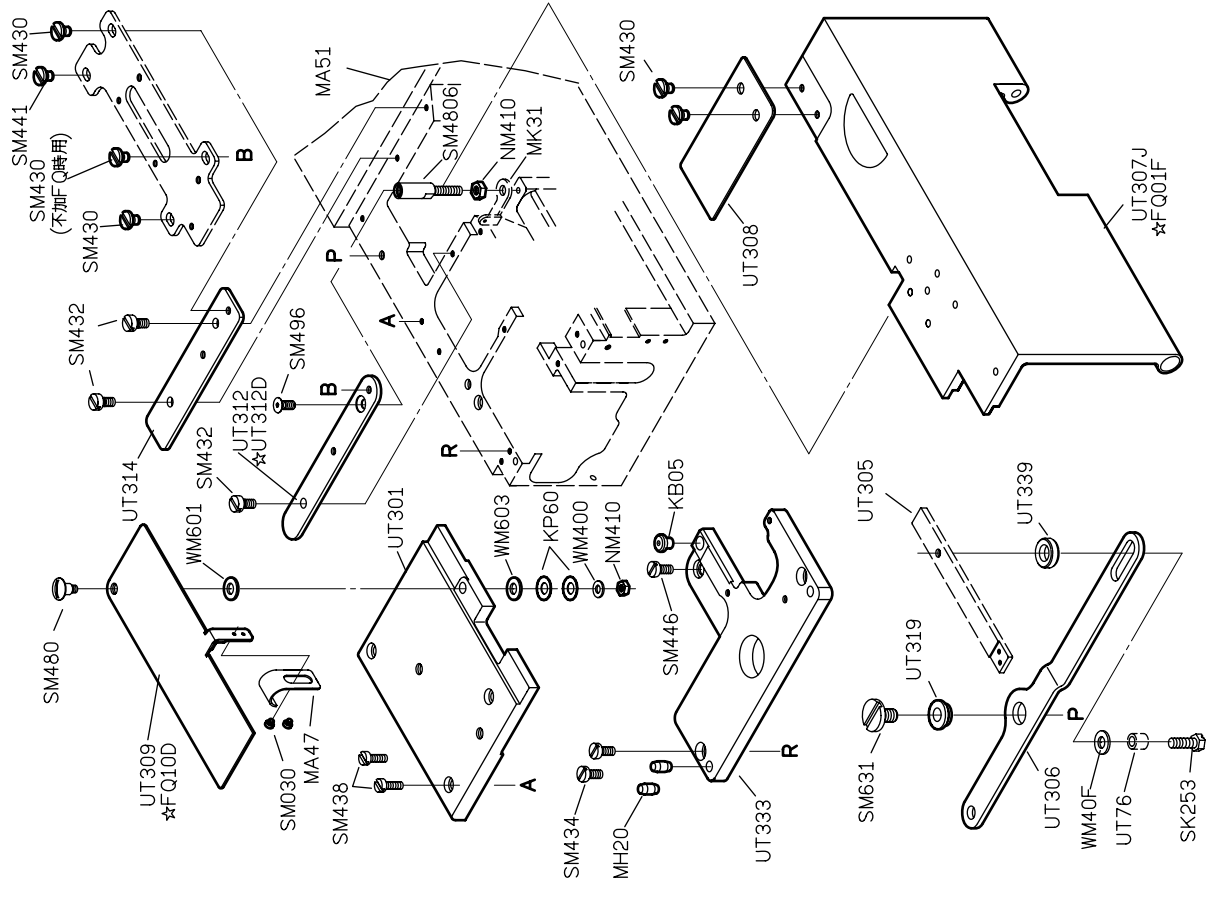


FOR C007H

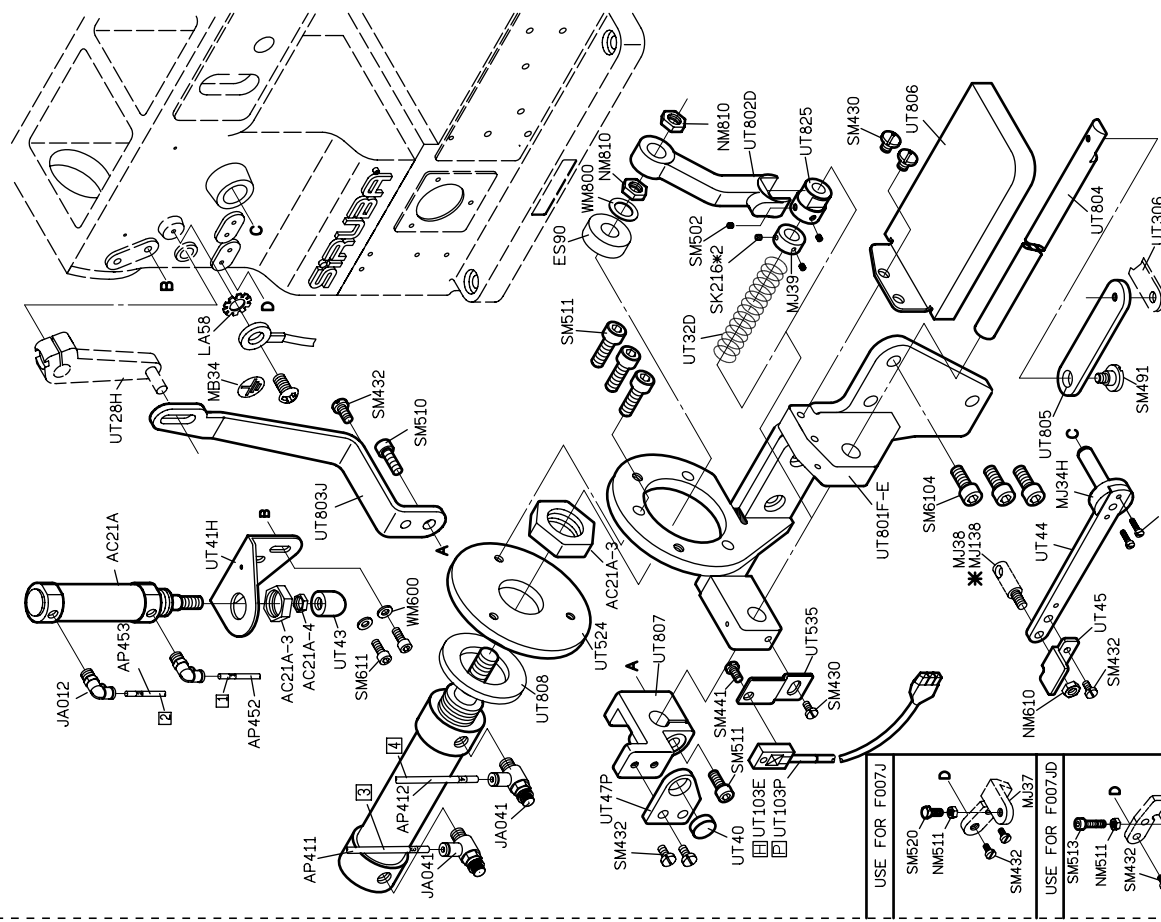
PARTS LIST FOR UTG/UTH GROUP



FOR F007J/F007JD *USE FOR F007J-FQ/F007JD-FQ



FOR F007J/F007JD ★USE FOR F007J-FQ/F007JD-FQ

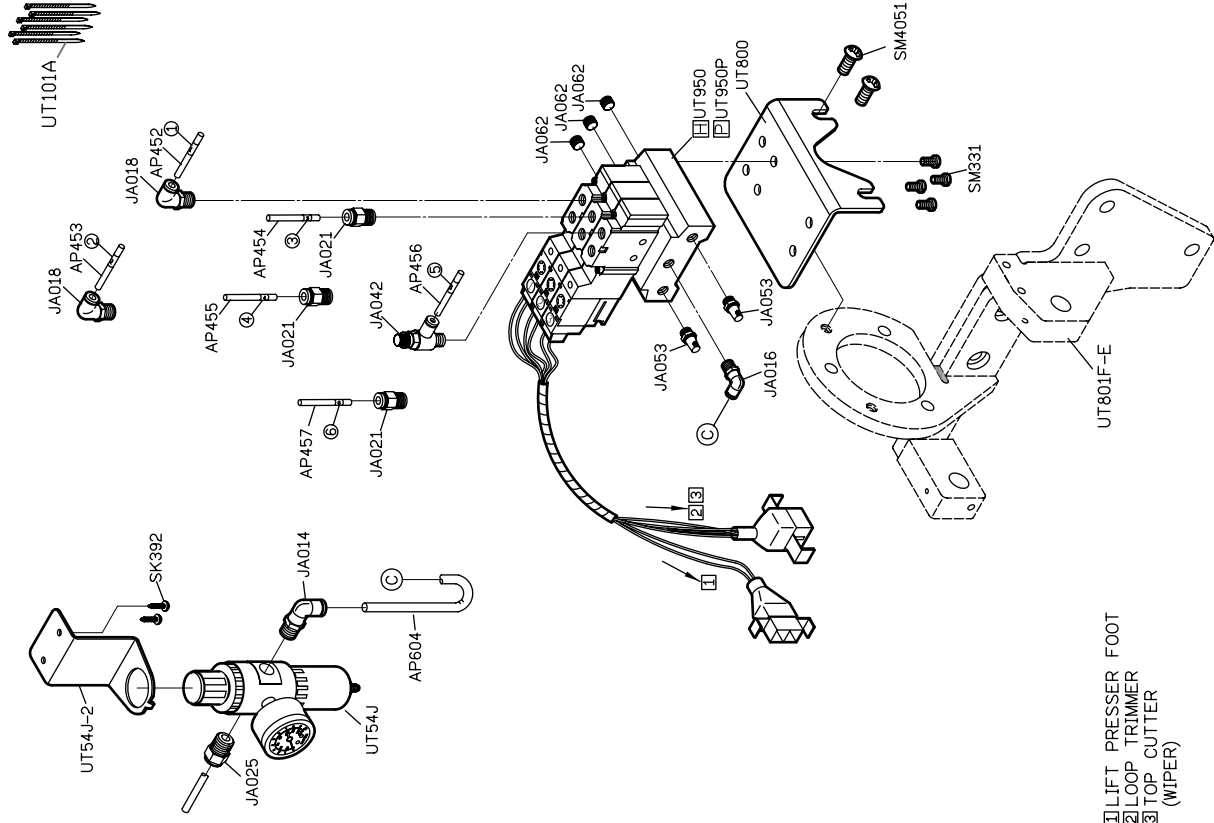


USE FOR F007J	SM520	UT103E	UT103P
	NM511		
	SM432		
	MJ37		
USE FOR F007JD	SM513		
	NM511		
	SM432		
	MJ37		

FOR F007J/F007JD ★ USE FOR F007JD □ FOR 中牌馬達 □ FOR P牌馬達

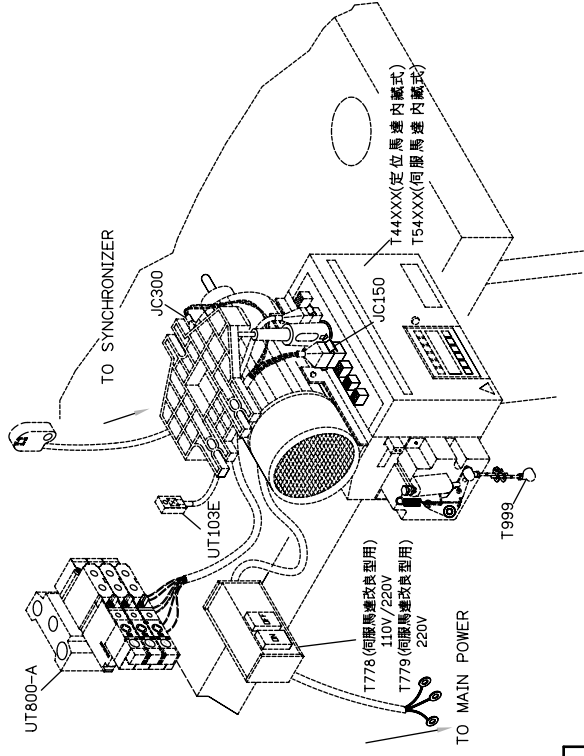
PARTS LIST FOR UTG/UTH GROUP

PARTS LIST FOR UTG/UTH GROUP

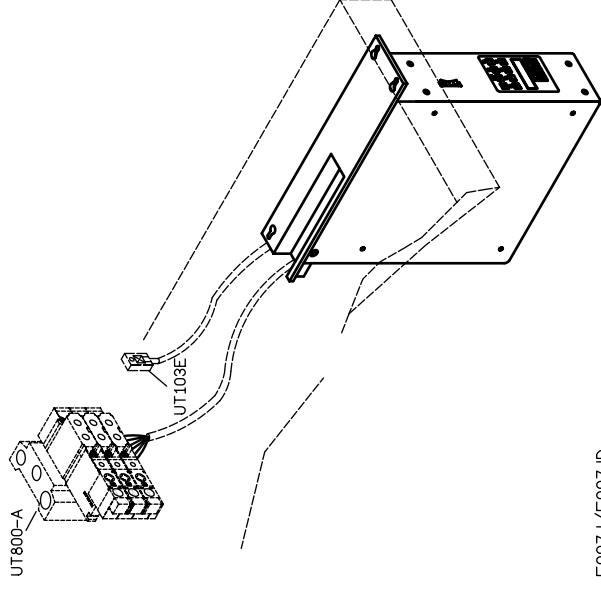


- ① LIFT PRESSER FOOT
- ② LOOP TRIMMER
- ③ TOP CUTTER (WIPER)

FOR F007J/F007JD FOR H牌馬達 FOR P牌馬達

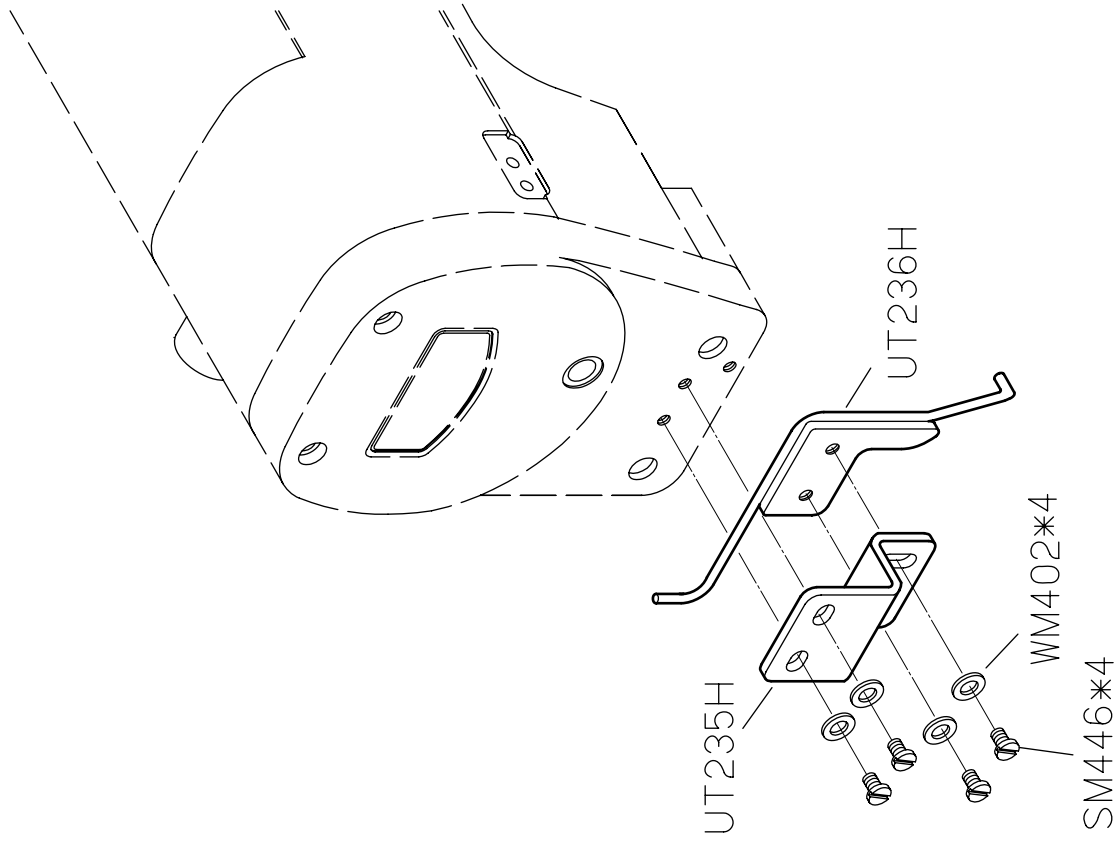
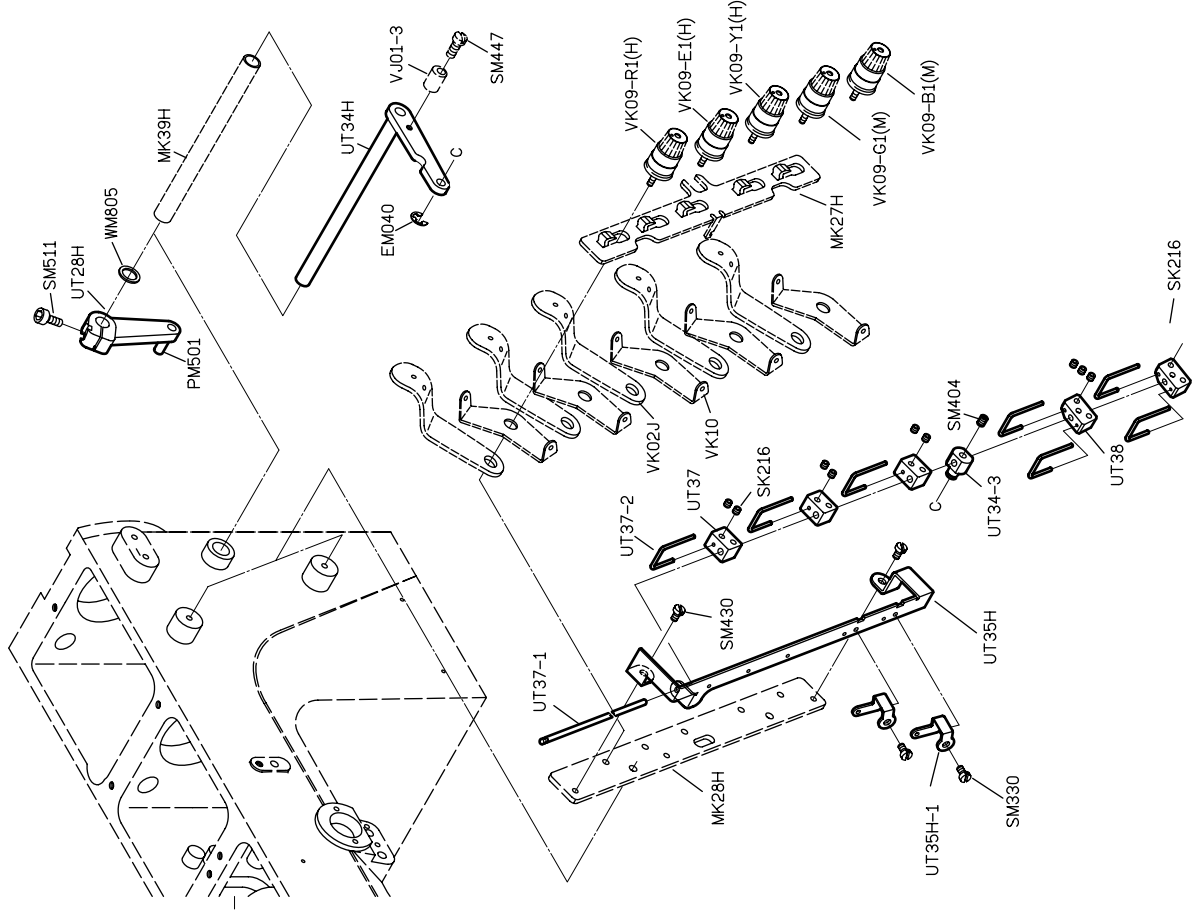


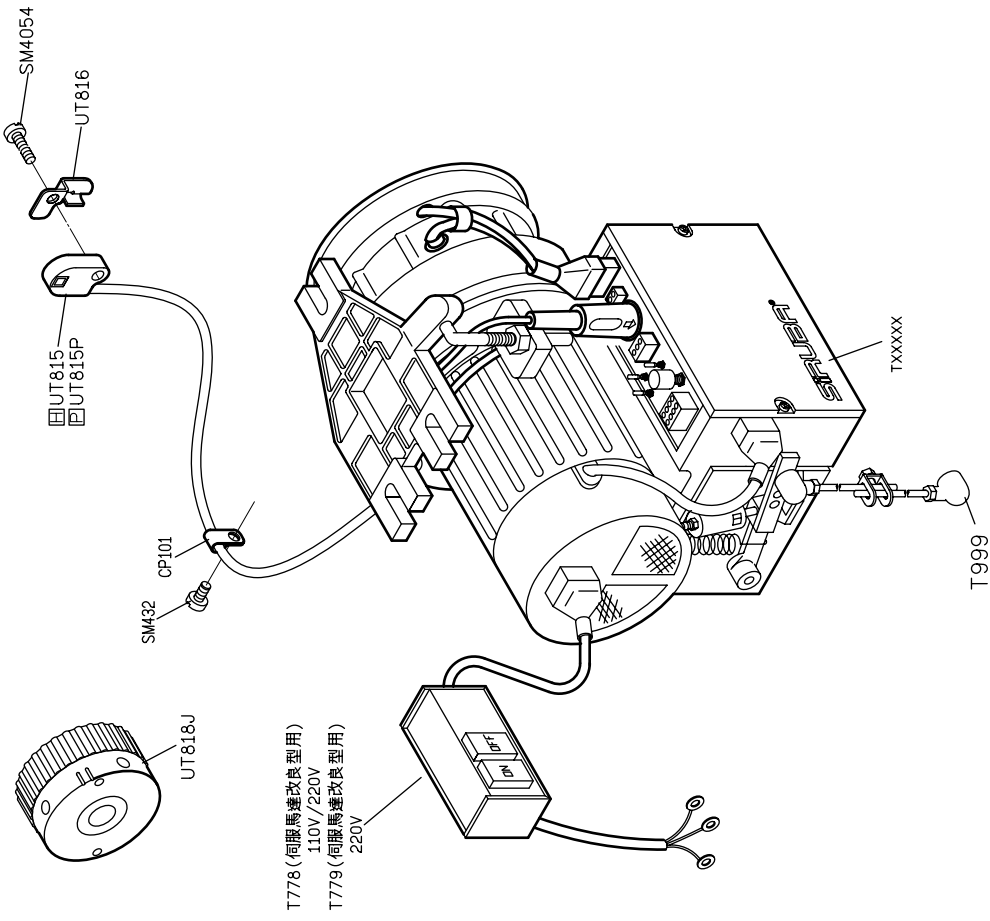
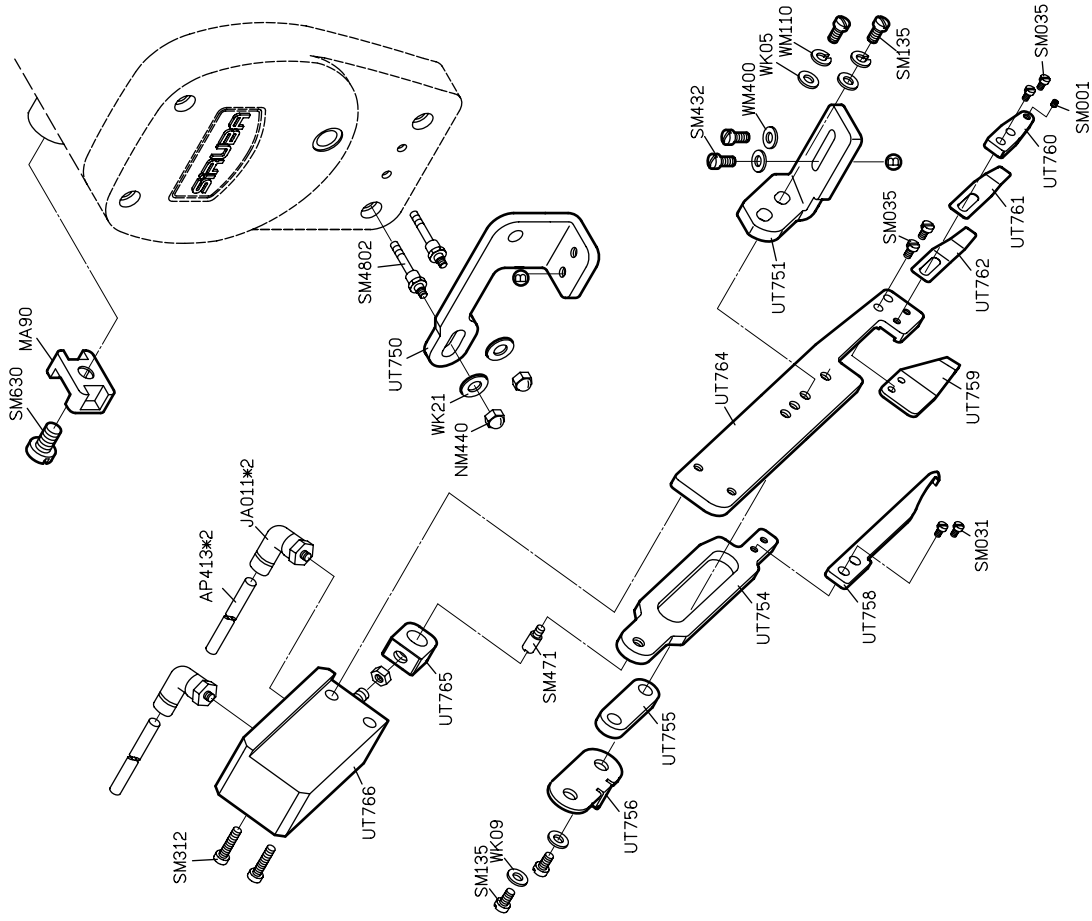
FOR F007J



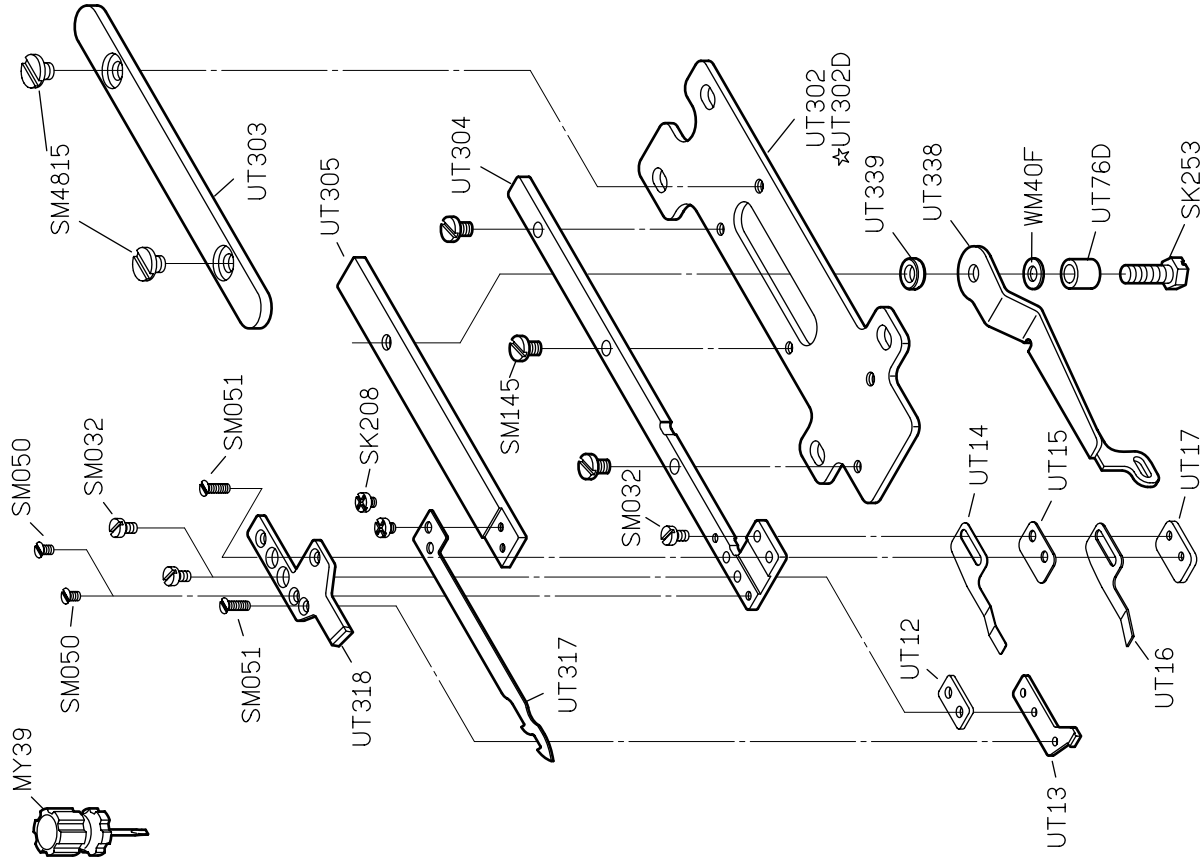
FOR F007J/F007JD

FOR LEFT SIDE



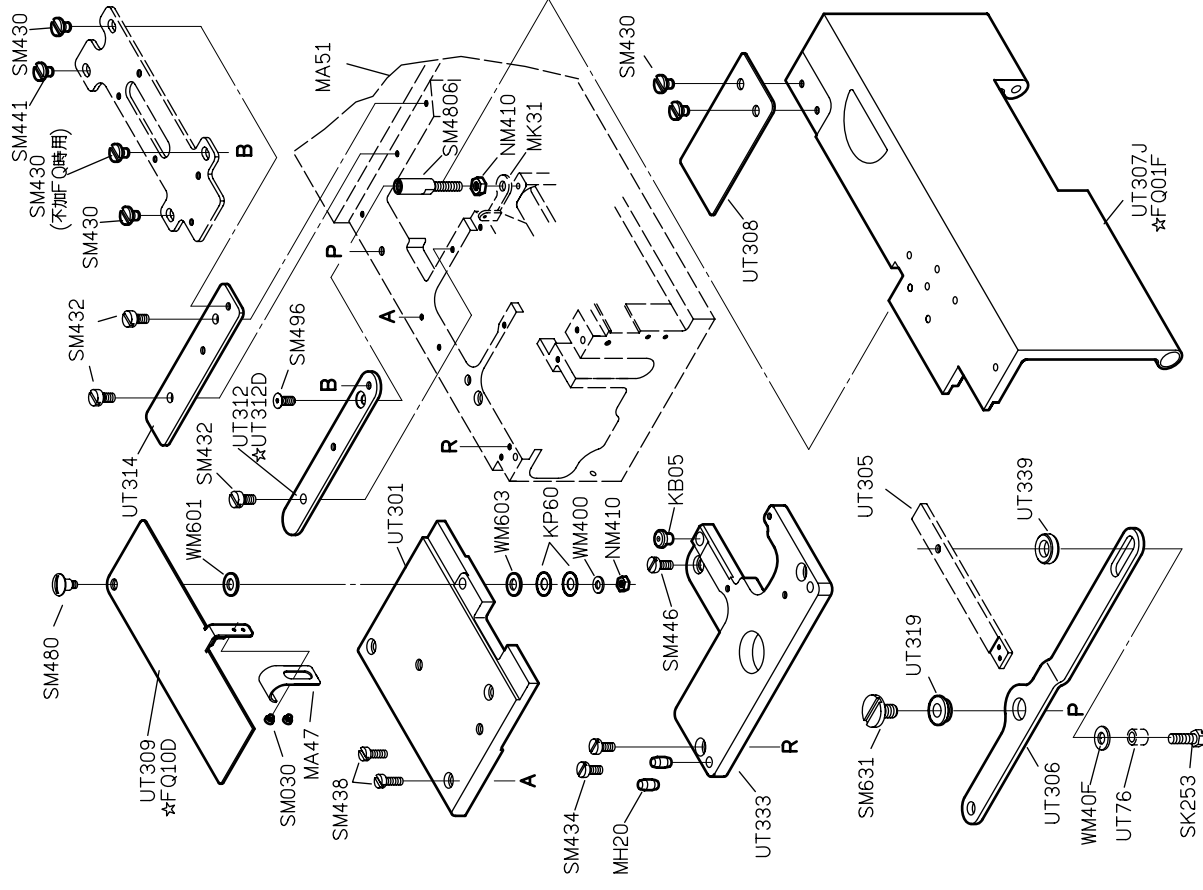


FOR F007J/C007J/S007J FOR H牌馬達 FOR P牌馬達



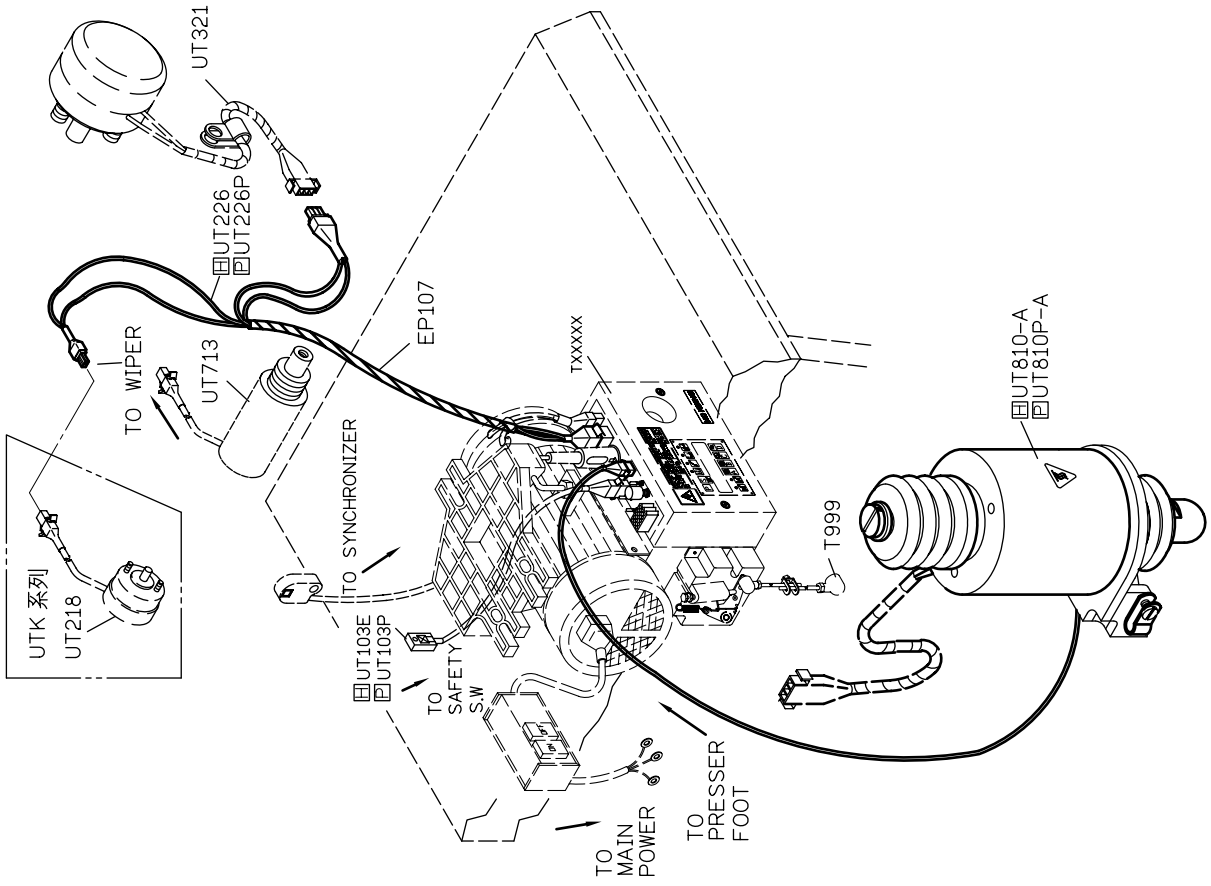
FOR F007J/F007JD ★USE FOR F007J-FQ/F007JD-FQ

PARTS LIST FOR UTJ/UTK GROUP



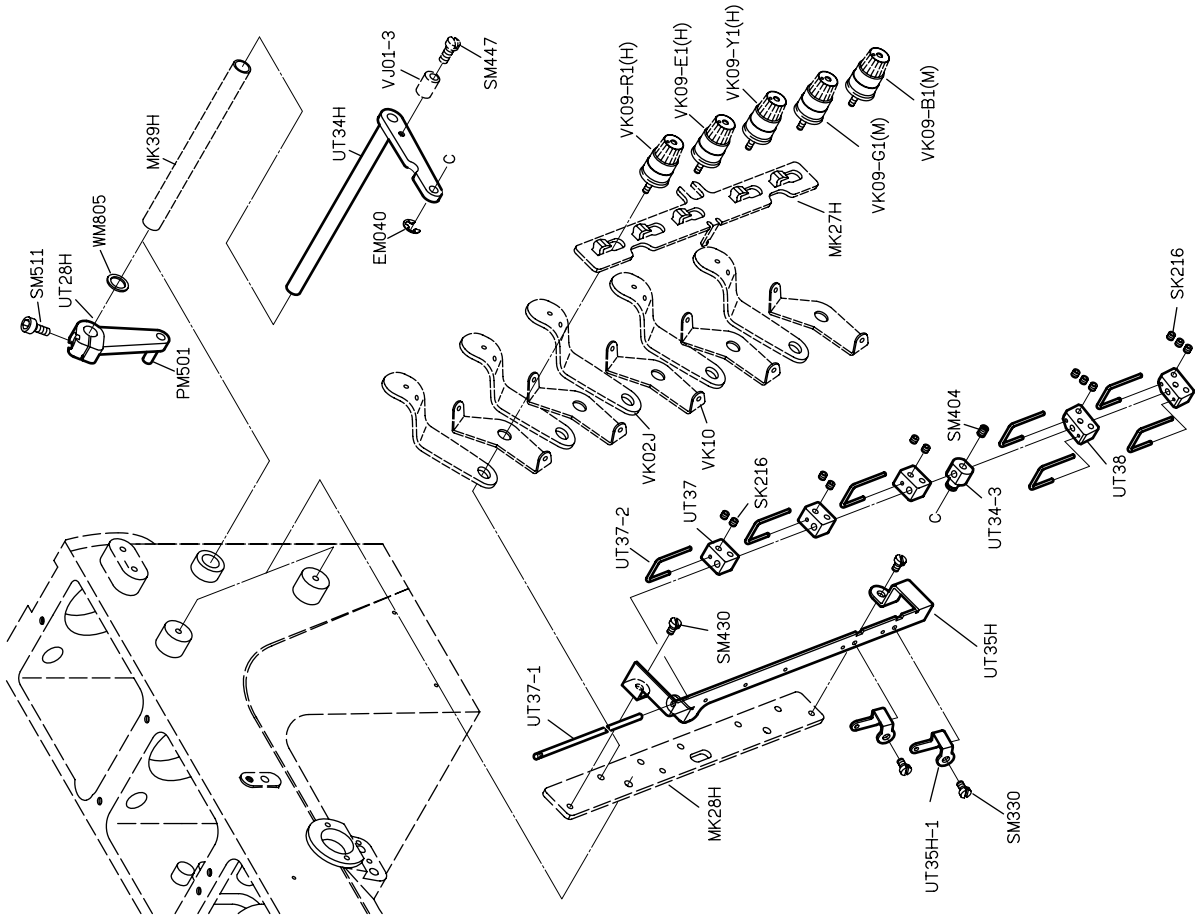
FOR F007J/F007JD ★USE FOR F007J-FQ/F007JD-FQ

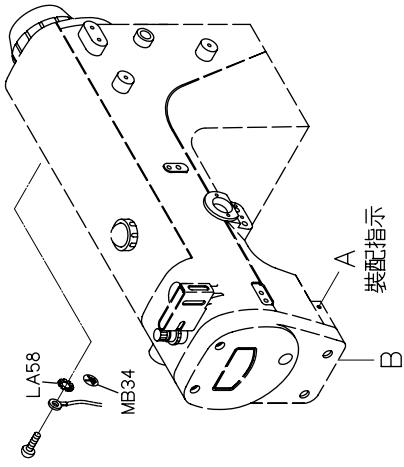
PARTS LIST FOR UTJ/UTK GROUP



FOR F007J

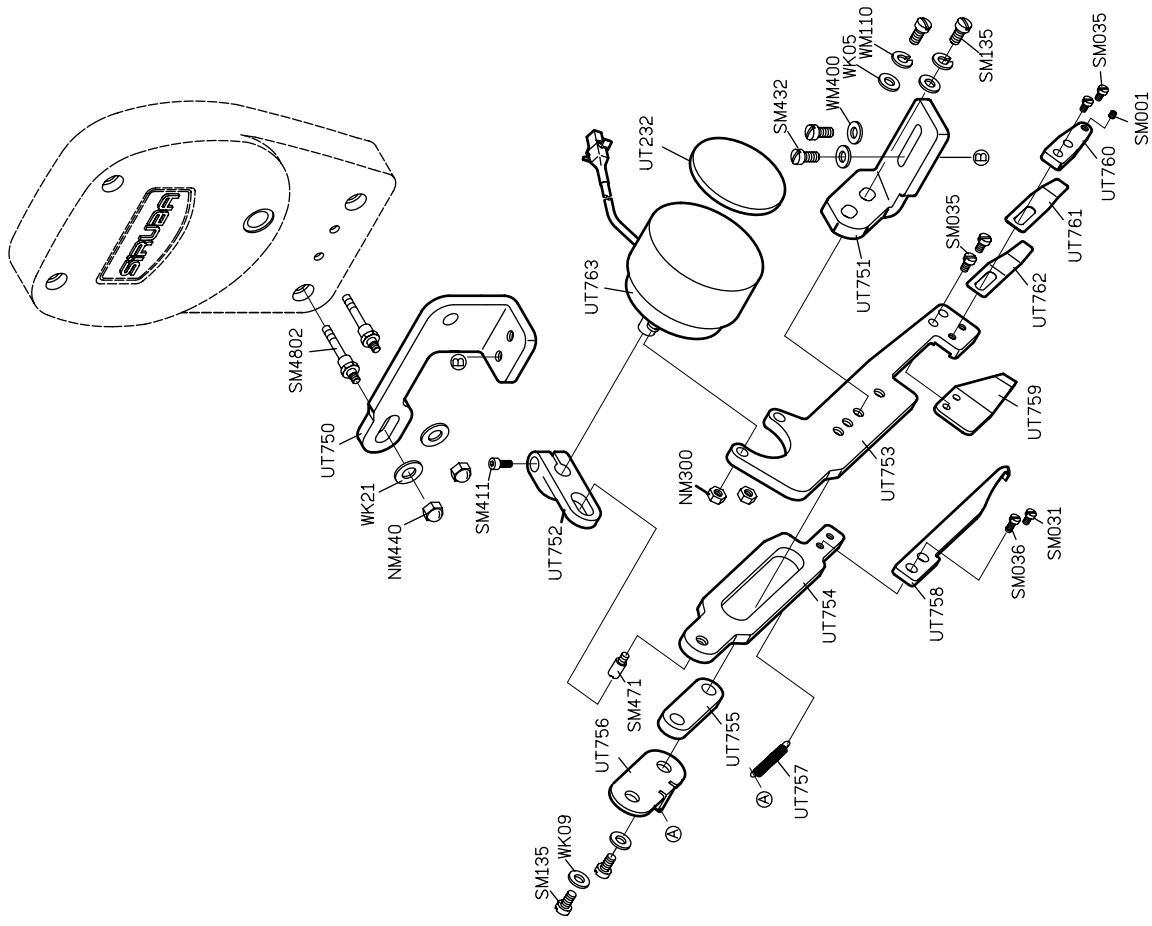
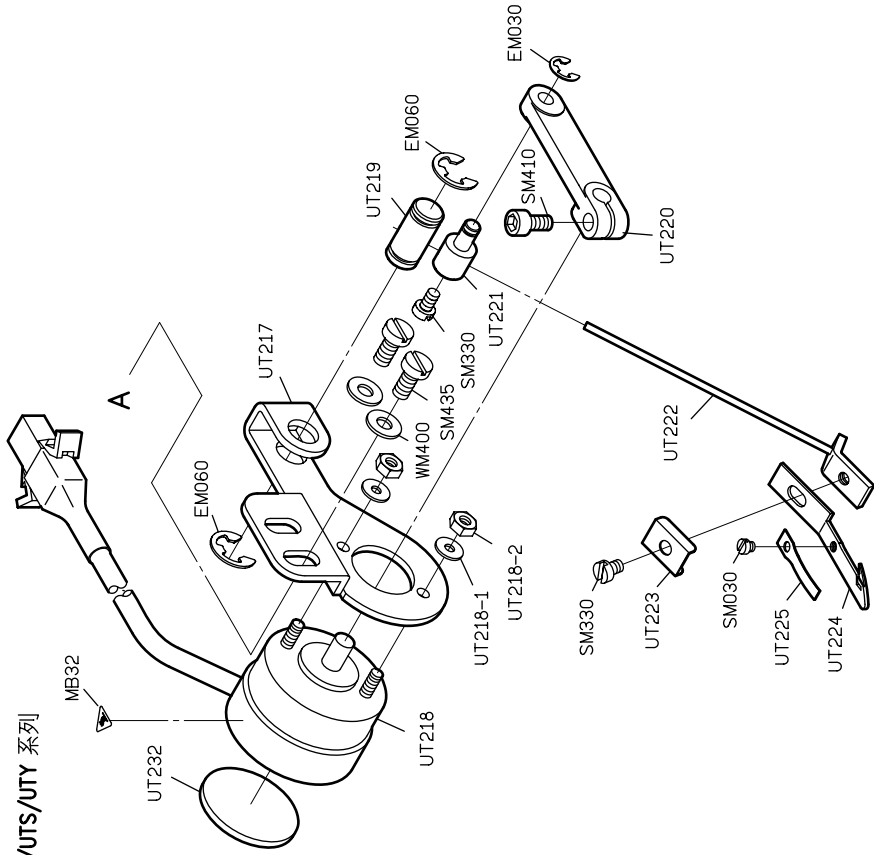
FOR 日牌機
 FOR P牌機

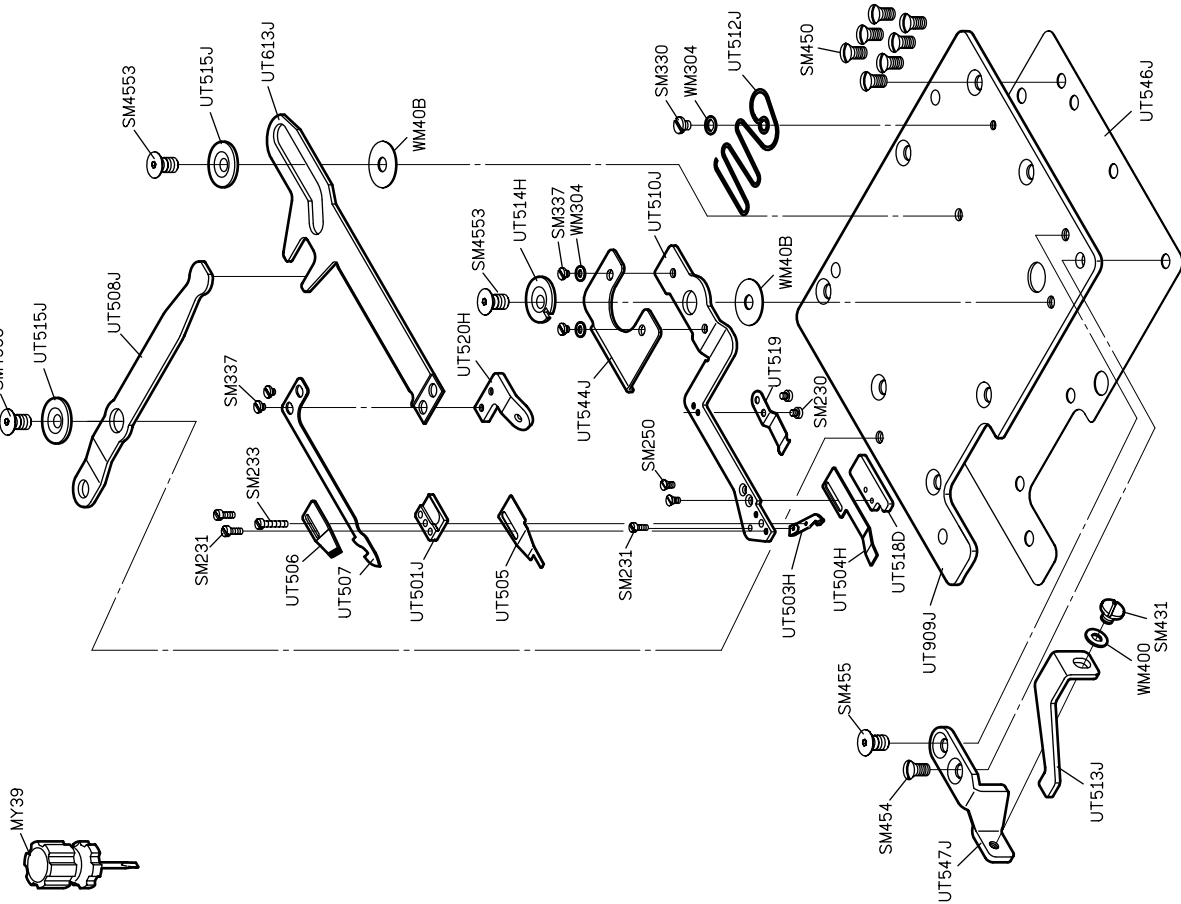




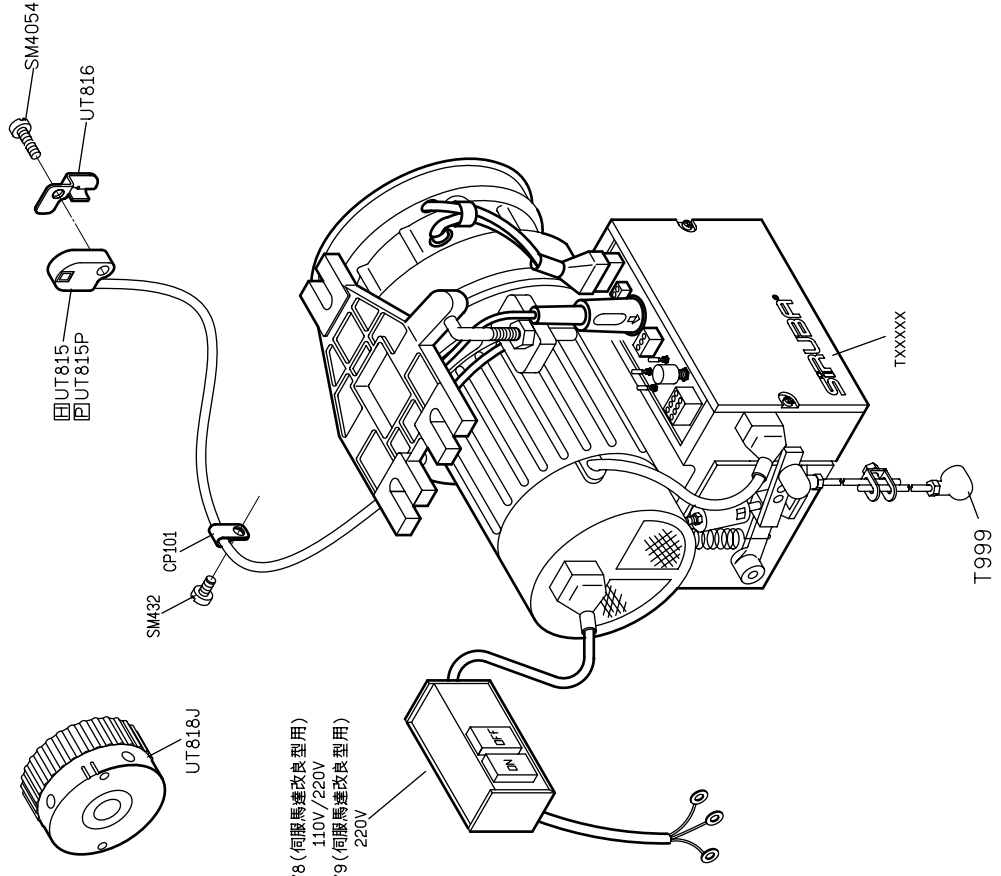
装配指示

UTK/UTS/UTY 系列





FOR C007J/C007JD

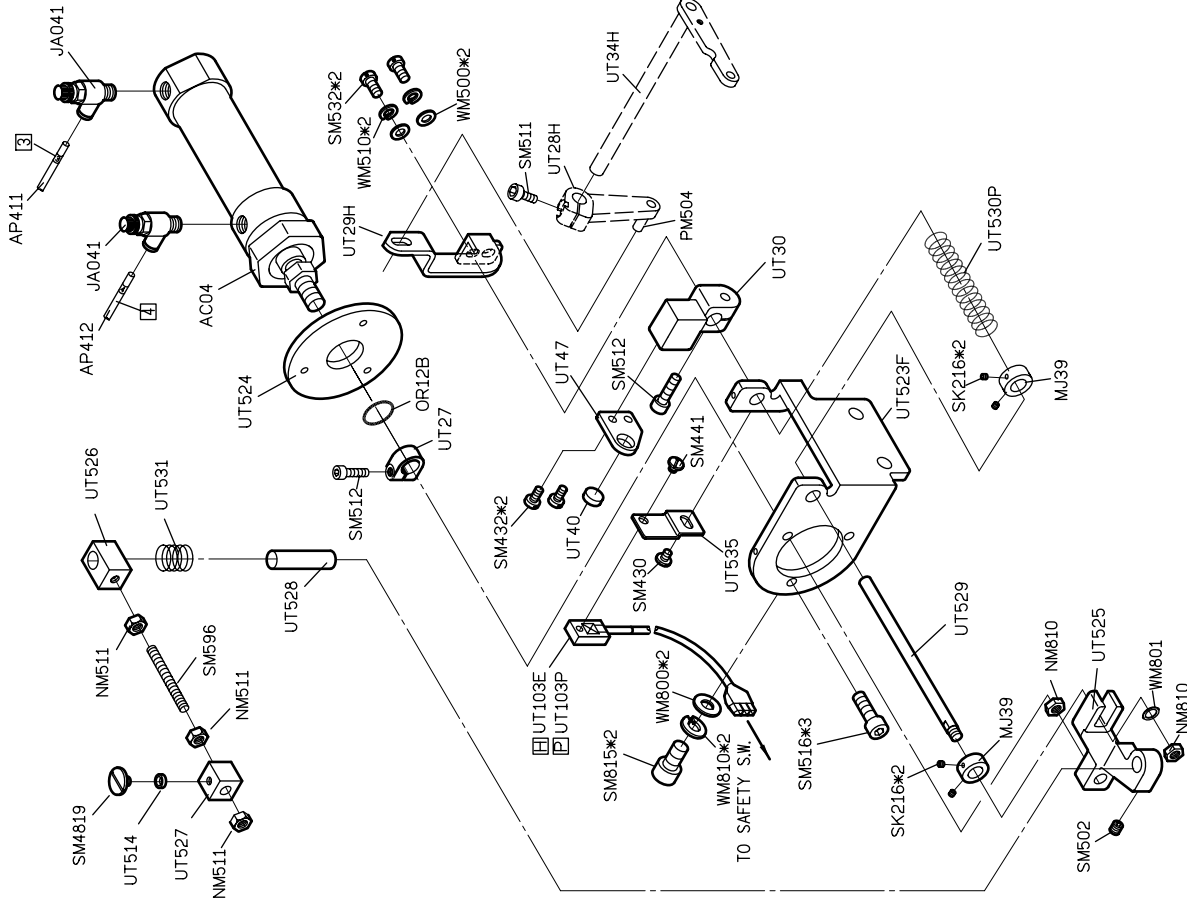


T778 (伺服马达改良型用)
110V/220V
T779 (伺服马达改良型用)
220V

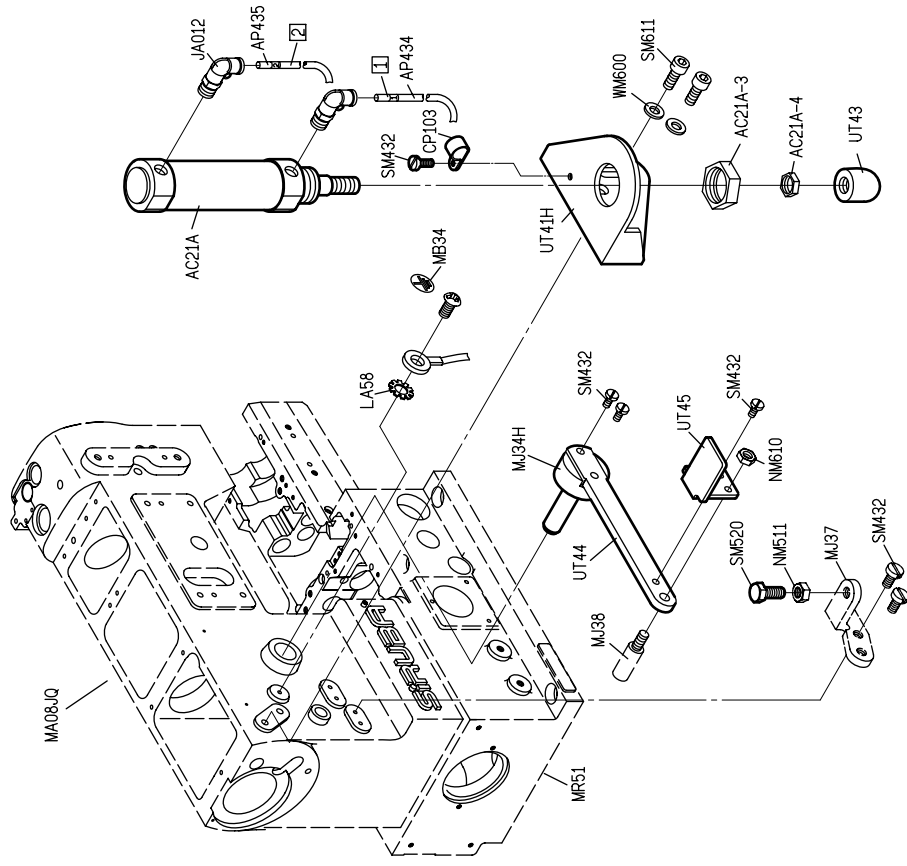
FOR F007J/C007J/S007J FOR 伺服马达
 FOR P伺服马达

PARTS LIST FOR UTJ/UTK GROUP

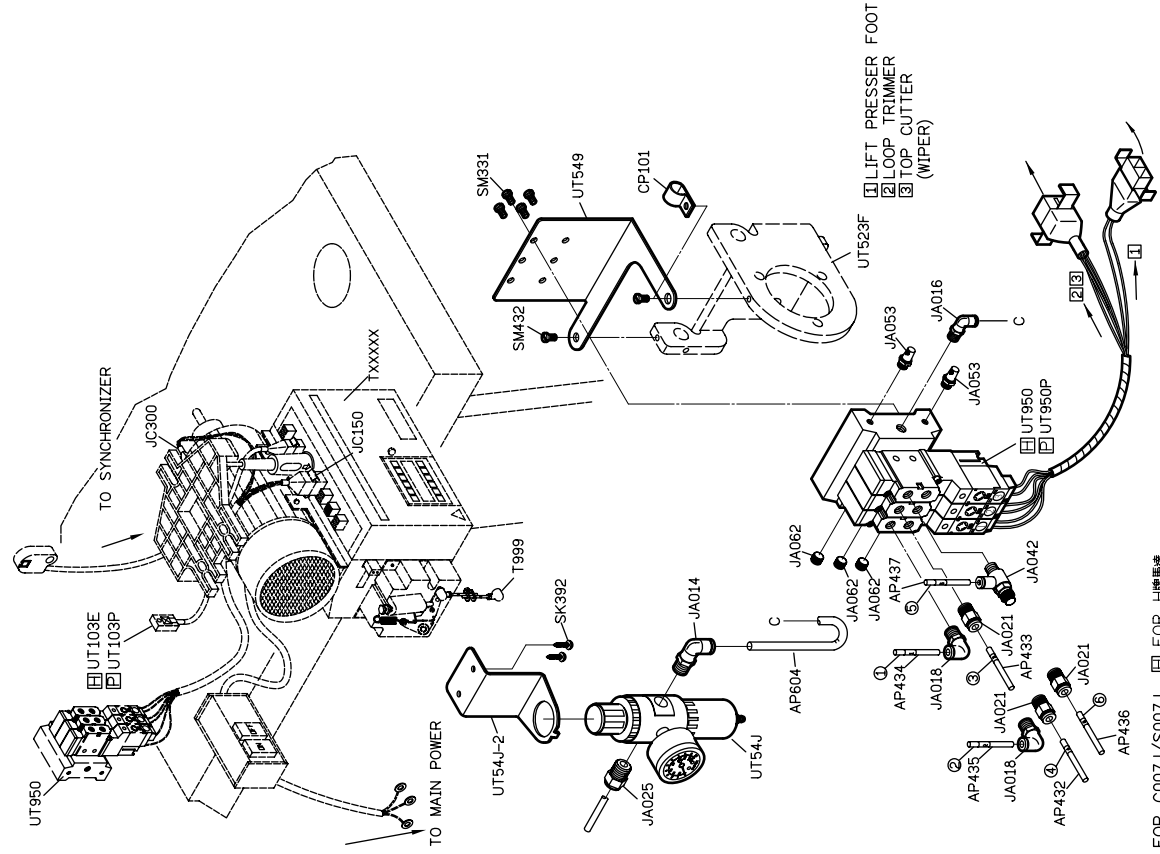
PARTS LIST FOR UTP/UTQ GROUP



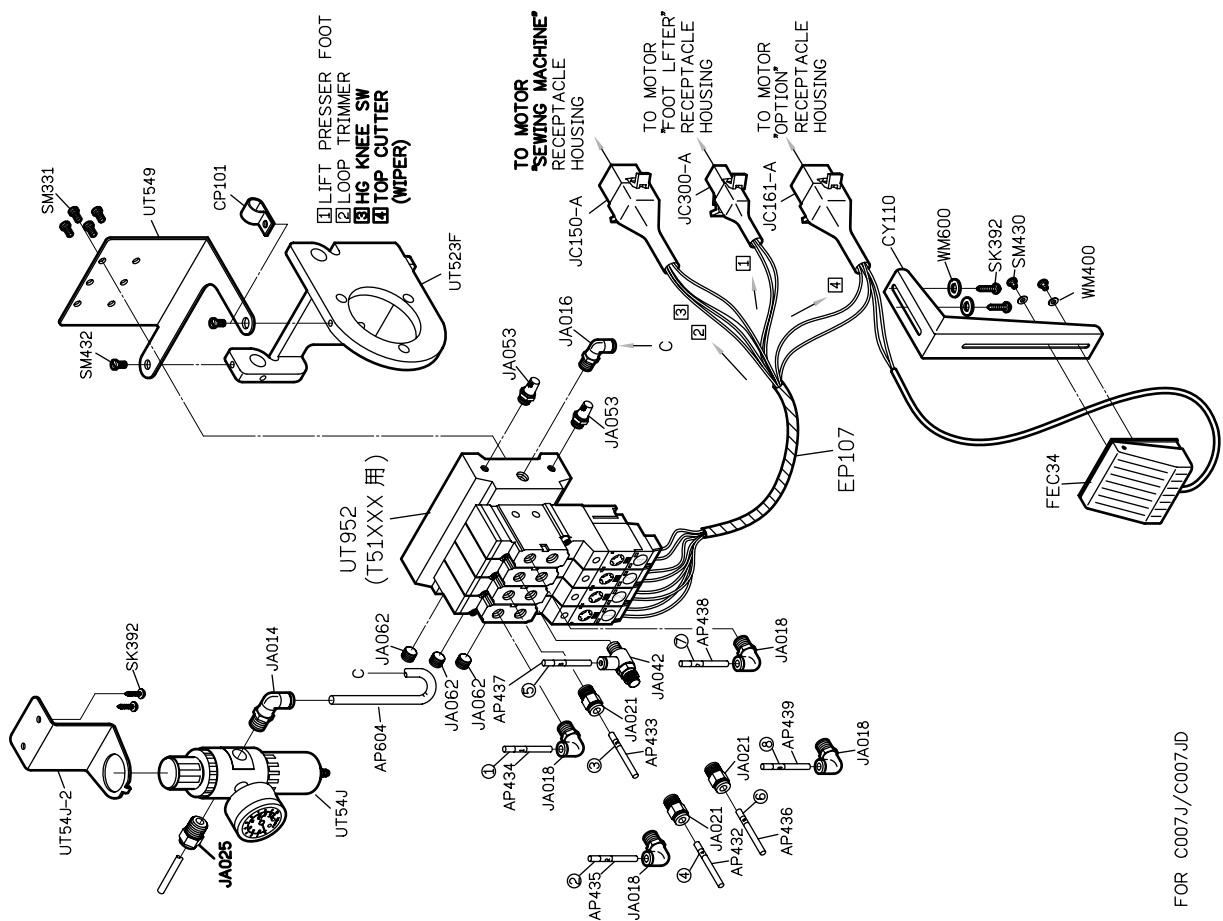
FOR C007J/C007JD/S007J/S007JD FOR H牌馬達 FOR P牌馬達



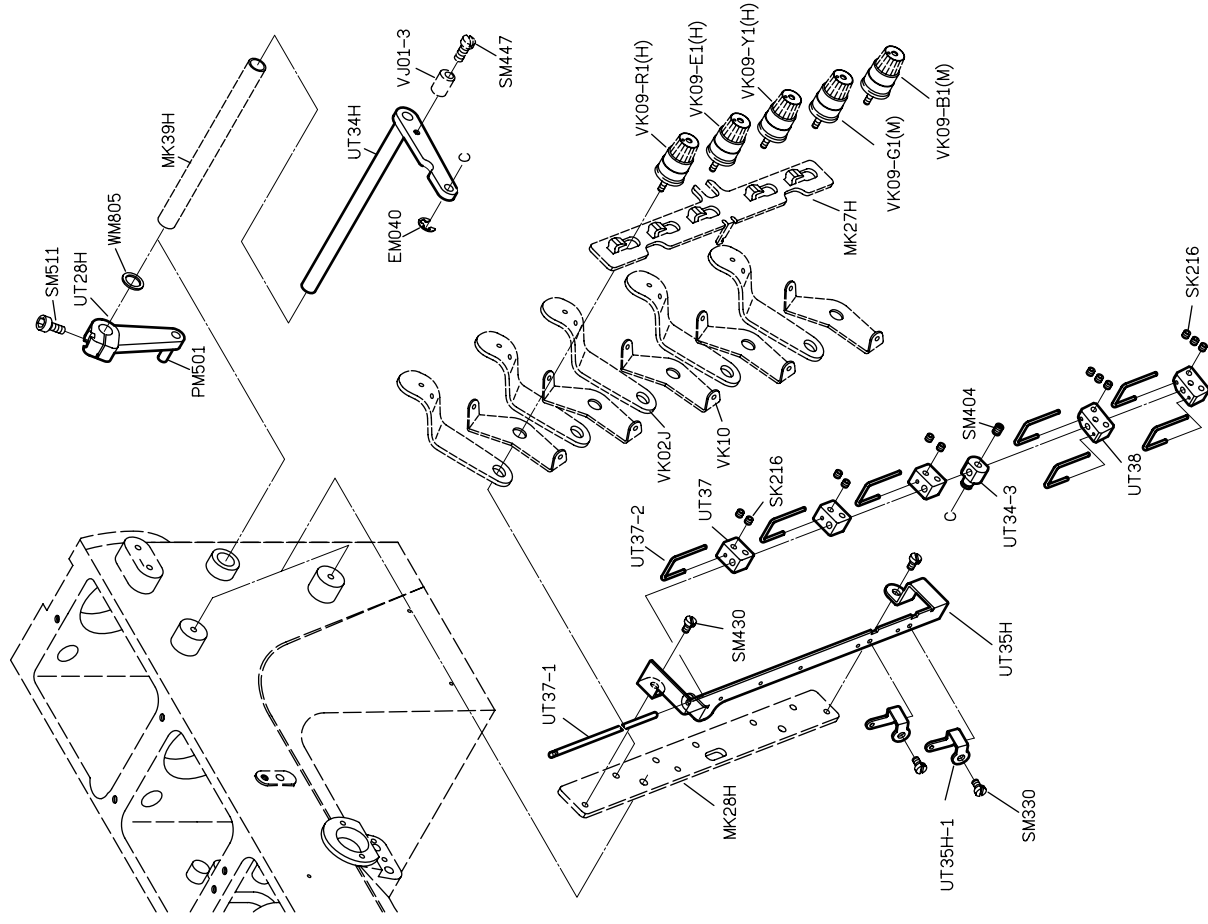
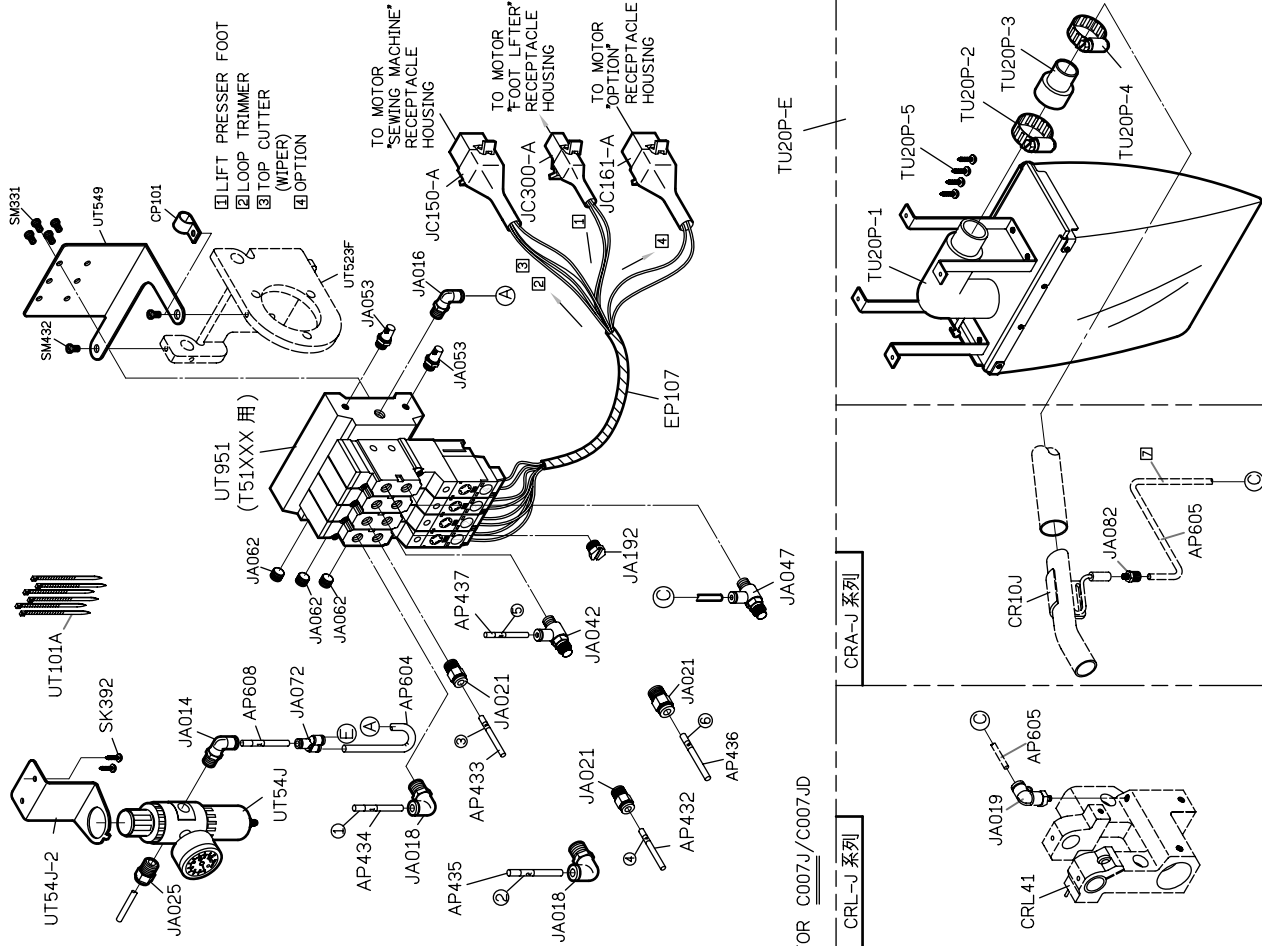
FOR C007J



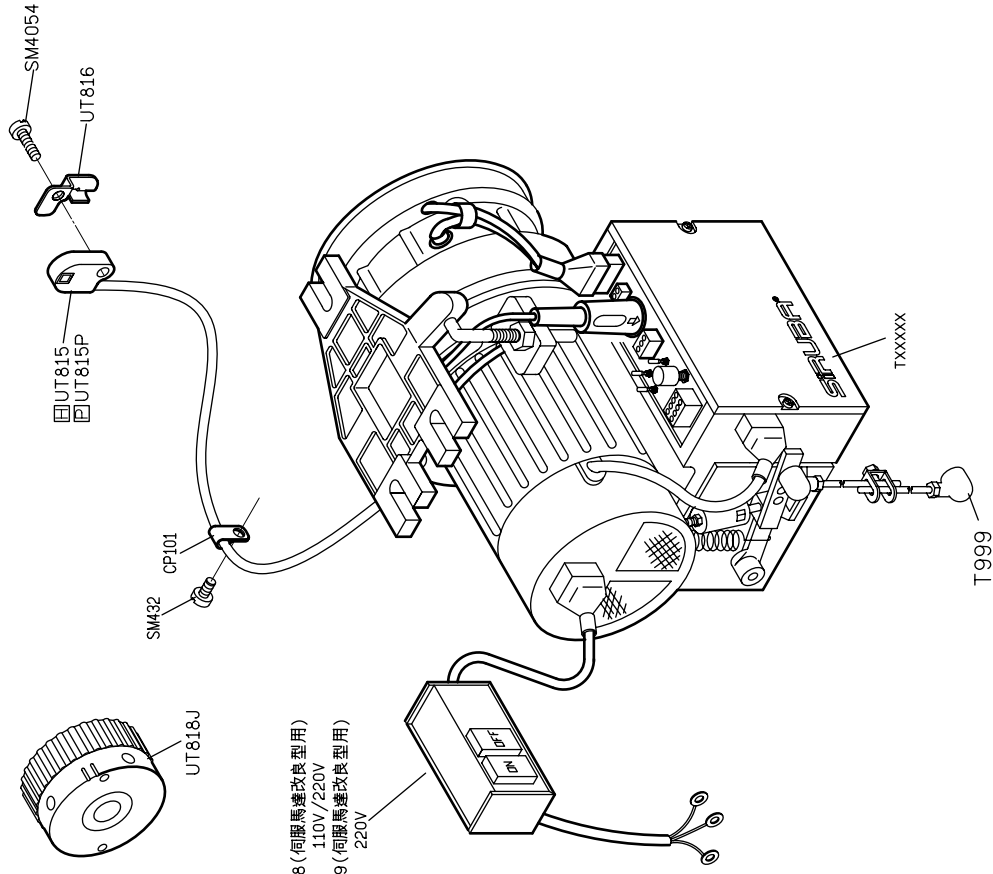
FOR C007J/S007J [] FOR H牌機座
 [] FOR P牌機座



FOR C007J/C007JD



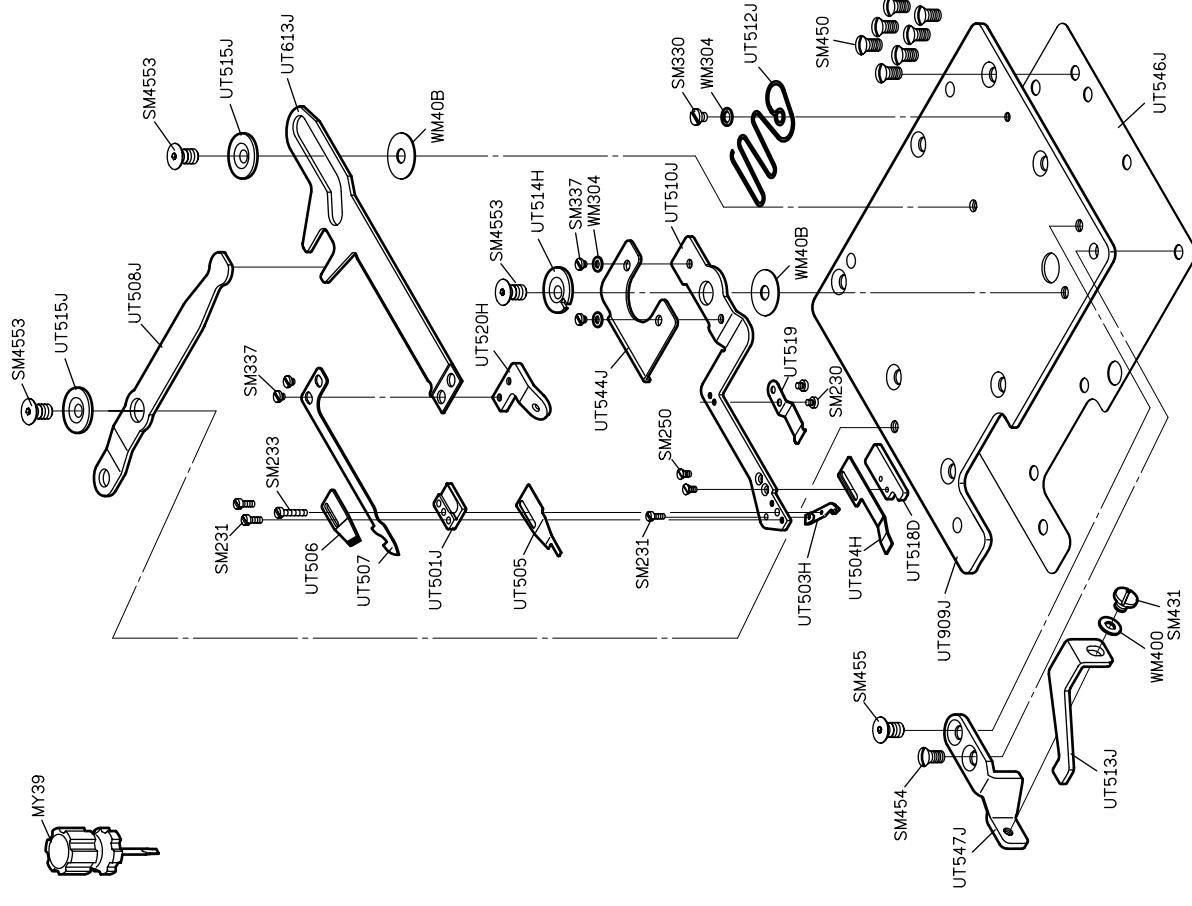
PARTS LIST FOR UTP/UTQ GROUP



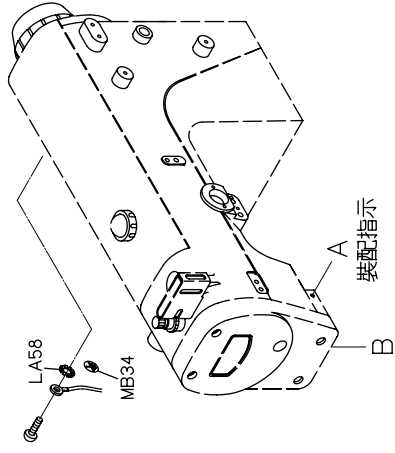
T778 (何服馬達改良型用)
110V/220V
T779 (何服馬達改良型用)
220V

FOR F007J/C007J/S007J FOR H牌馬達
 FOR P牌馬達

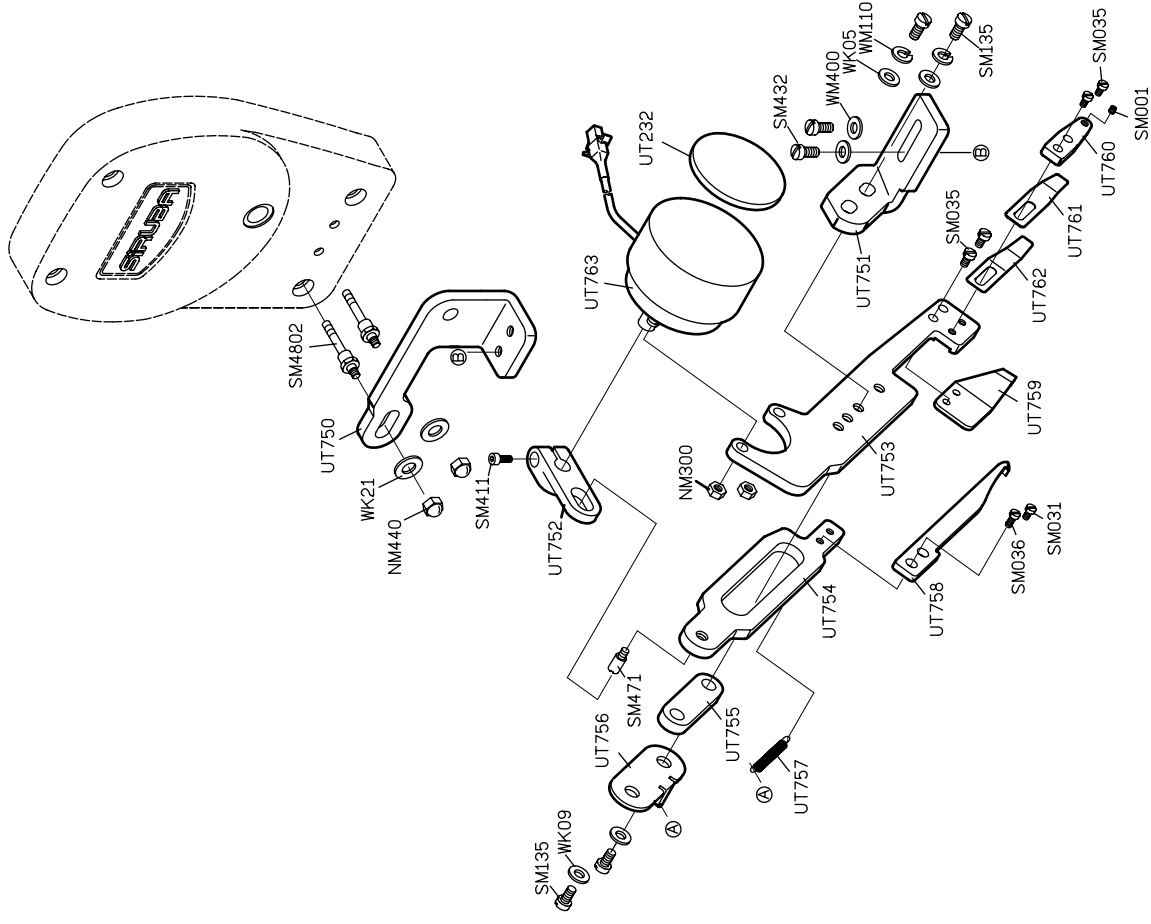
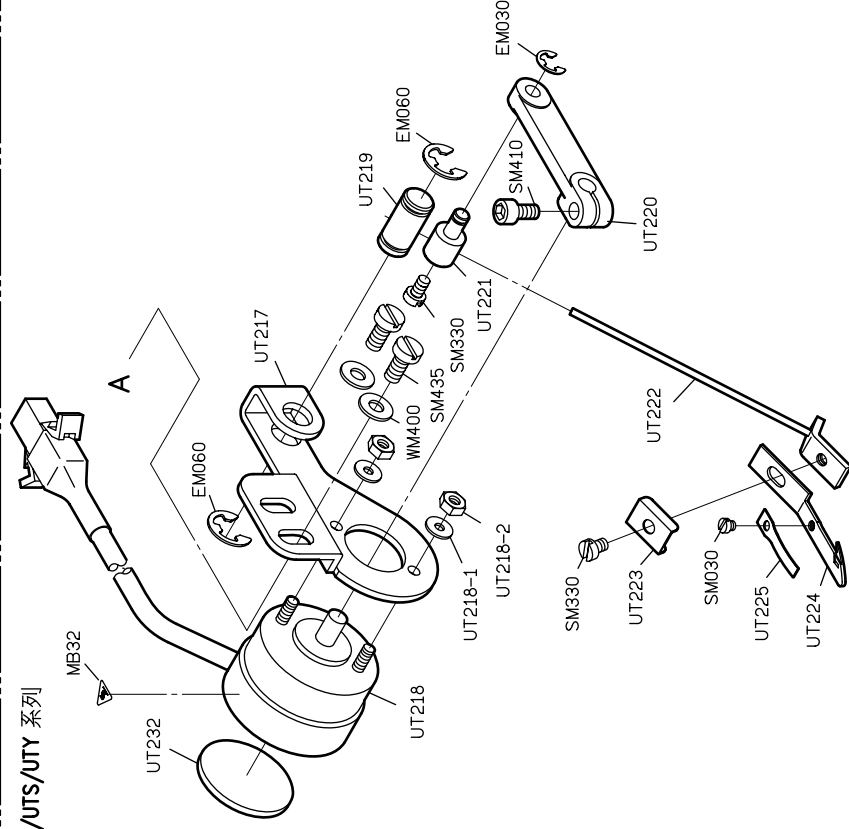
PARTS LIST FOR UTR/UTS GROUP

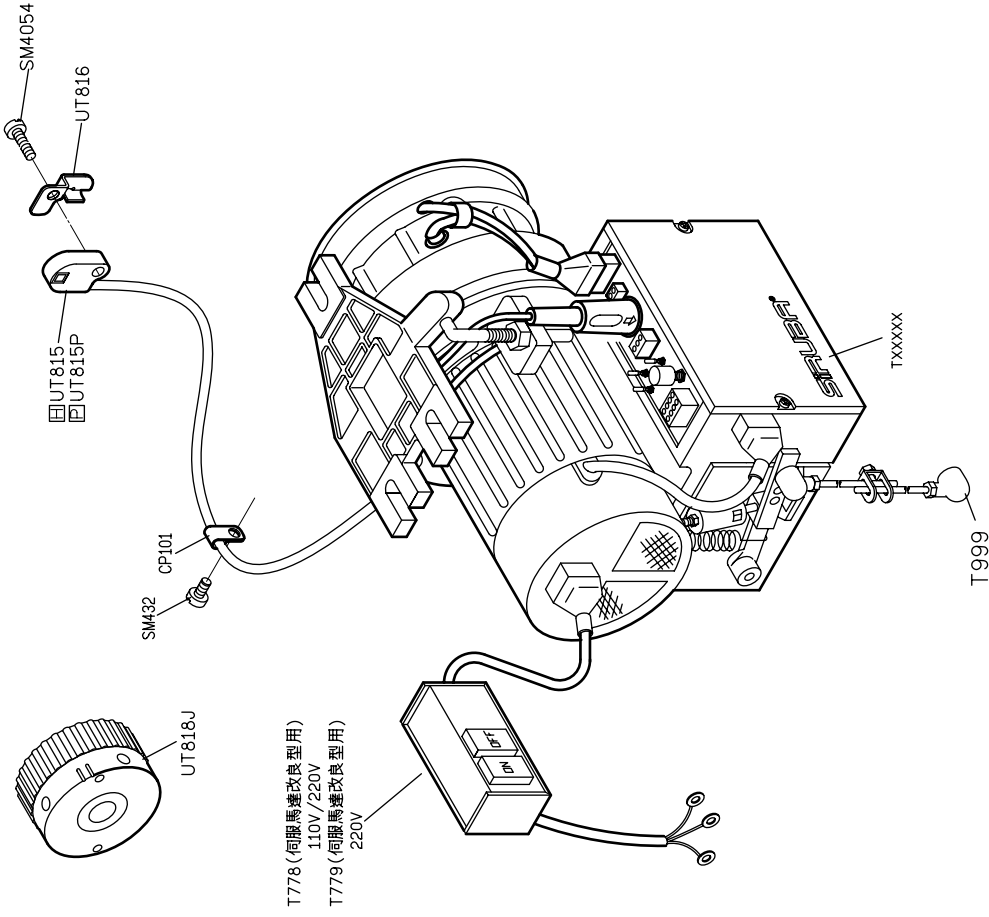


FOR C007J/C007JD

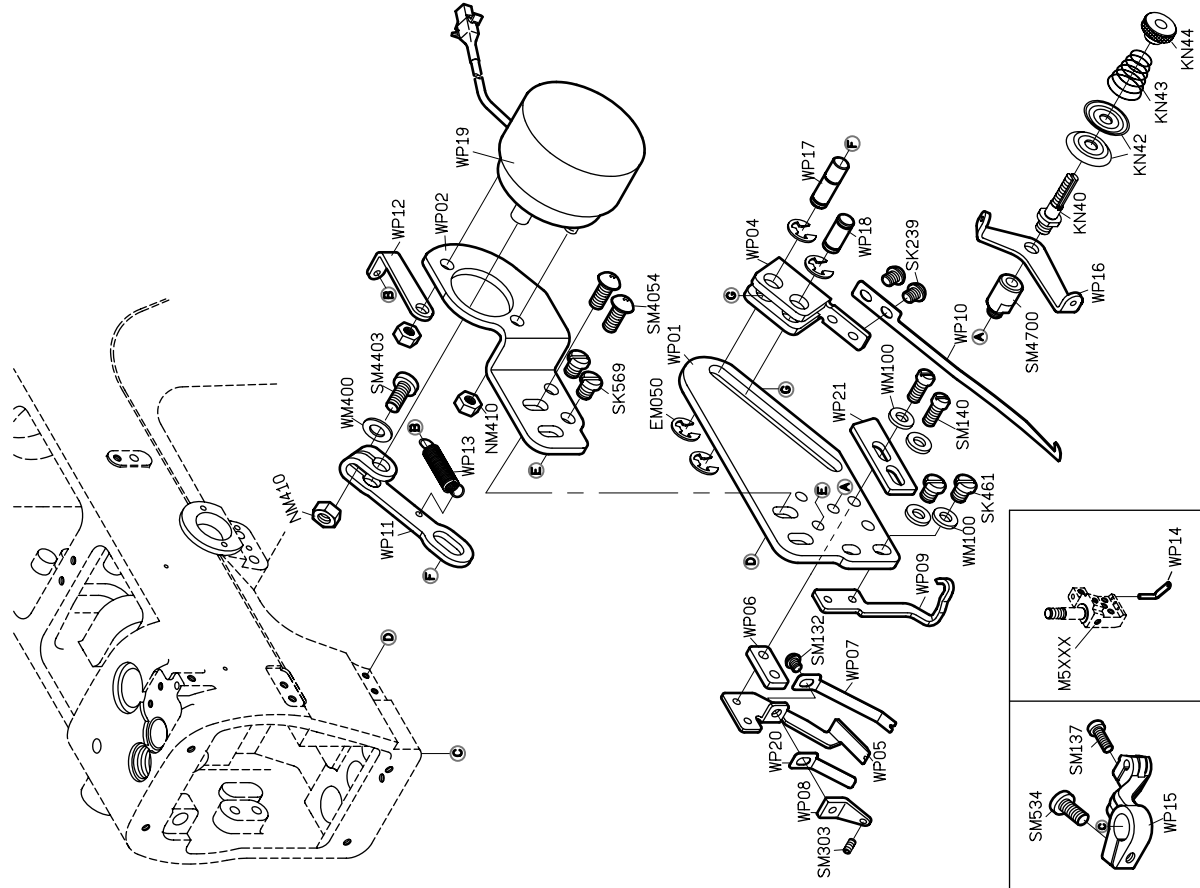


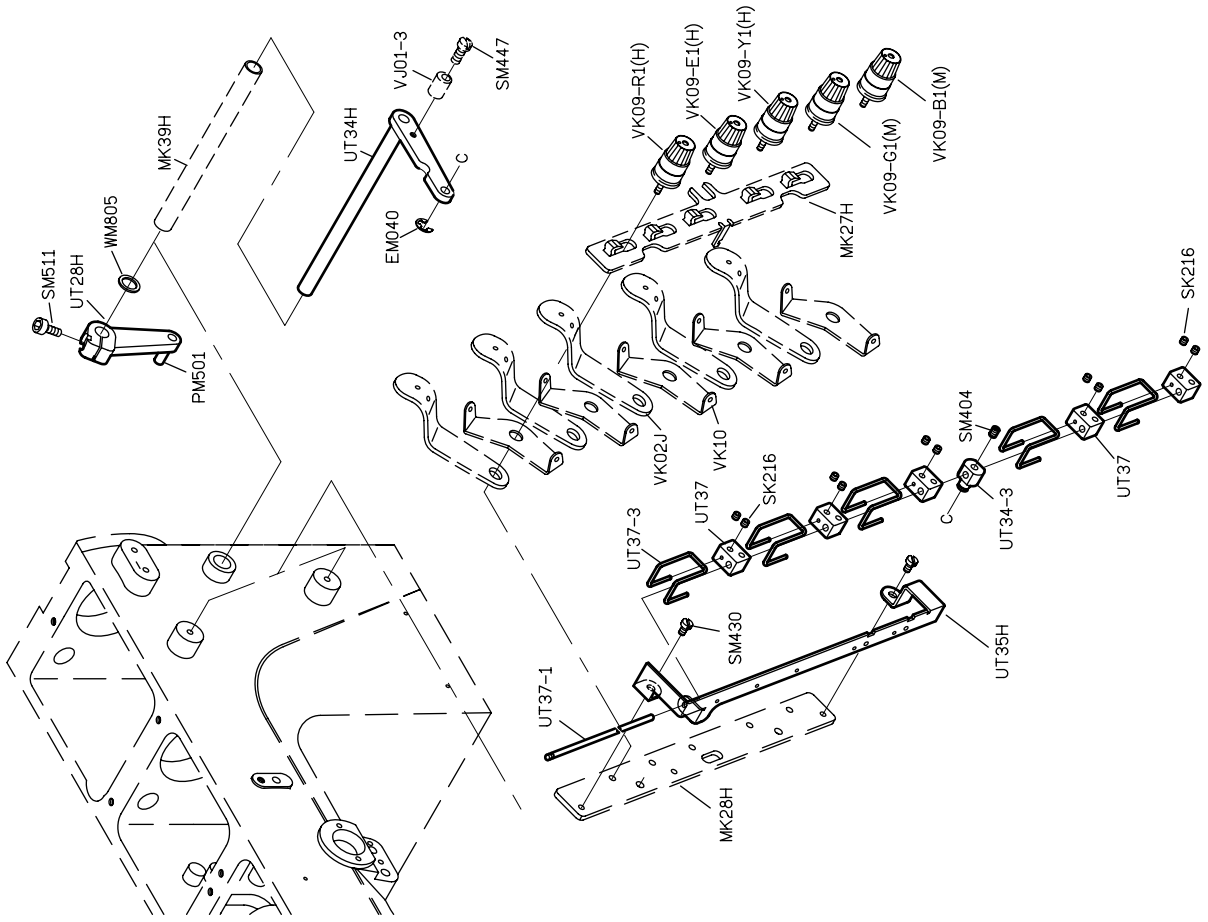
UTK/UTS/UTY 系列





FOR F007J/C007J/S007J FOR H牌馬達
FOR P牌馬達







C/F007

ATTACHMENT

高林股份有限公司 KAULIN MFG. CO., LTD.